

## SPECIFICATION FEATURE:

SEALED DIE-CASTING PROFILE FOR OUTDOOR APPLICATIONS

POLYCARBONATE OPTICAL LENS WITH UV STABILIZER

BUILD-IN UL CLASS 2 DRIVER, OPTIONAL FOR PHOTOCELL

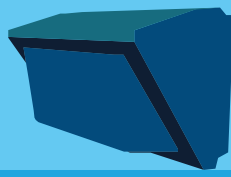
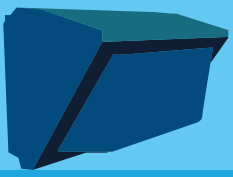
EASY INSTALLATION, CONTRACTOR-FRIENDLY DESIGN

### 30W - 42W - 65W

INPUT VOLTAGE	110 - 277 VAC / 480 VAC
CRI	>70
LUMEN PER WATT	30W - 120 LM/W 42W - 121 LM/W 65W - 112LM/W
AVAILABLE CCT	4000K,5000K
LIFE SPAN	50,000 HOURS
OPERATION TEMPERATURE	-40°F ~ 104°F
LUMEN	3,600, 5100, 7,300
MOUNTING OPTIONS	DIRECT MOUNT

### 90W

INPUT VOLTAGE	110 - 277 VAC / 480 VAC
CRI	>70
LUMEN PER WATT	90W - 117 LM/W
AVAILABLE CCT	4000K,5000K
LIFE SPAN	50,000 HOURS
OPERATION TEMPERATURE	-40°F ~ 104°F
LUMEN	10,500
MOUNTING OPTIONS	DIRECT MOUNT



## ORDERING OPTIONS:

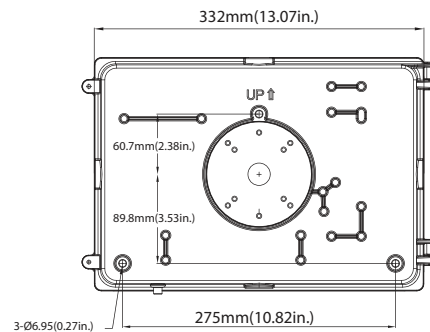
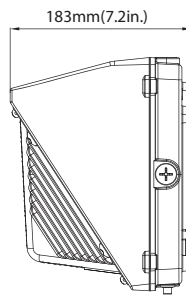
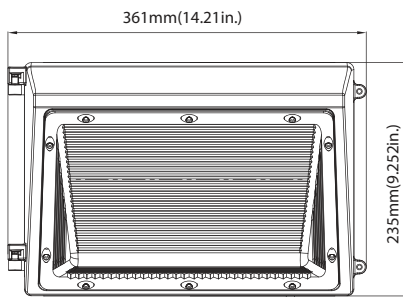
EXAMPLE: LEDWP 42W 50K

### 30W - 42W - 65W - 90W

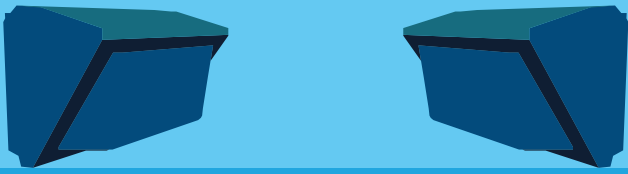
LEDWP	42W	50K	[BLANK]	[BLANK]	[BLANK]
<b>SERIES</b> LEDWP	<b>RATED WATTAGE</b> 30W 30 WATT 42W 42 WATT 65W 65 WATT 90W 90 WATT	<b>COLOR TEMP</b> 40K 4000 KELVIN 50K 5000 KELVIN	<b>INPUT VOLTAGE</b> BLANK 110 - 277 VAC HV 480 VAC	<b>FINISHING</b> BLANK DARK BRONZE -WH WHITE -BK BLACK	<b>ACCESSORIES</b> BLANK NO ACCESSORIES -PCWP PHOTOCELL -MSWP MOTION SENSOR -EBWP EMERGENCY BATTERY BACKUP

PLEASE CALL FOR LEAD TIME FOR WHITE AND BLACK FINISHING FIXTURES INCLUDING 4000K OPTION

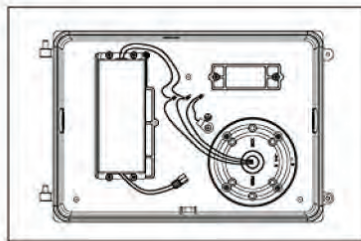
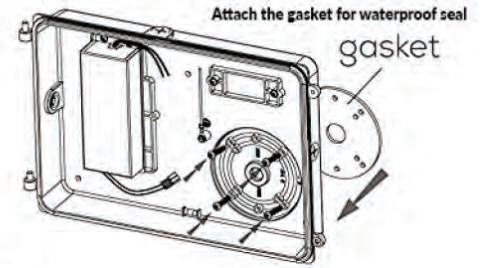
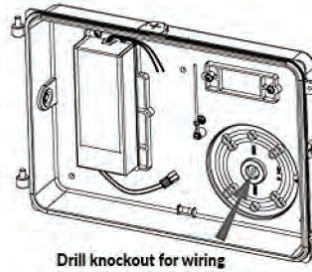
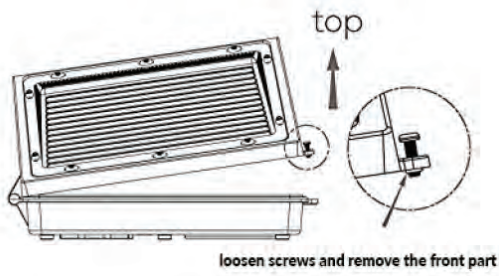
## DIMENSIONS:



Weight  
30W: 6.327lb  
42W: 6.525lb  
65W: 6.724lb  
90W: 7.319lb

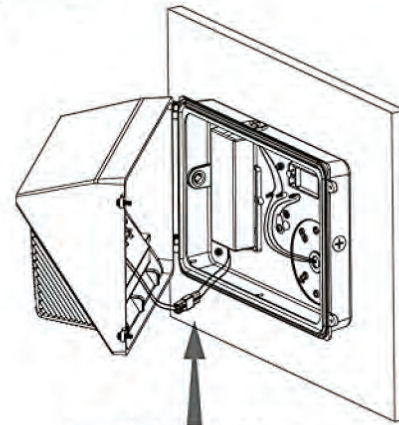


# INSTALLATION:



Follow the instruction for wiring  
WIRE CONNECTION

Black	○	Line
White	○	Neutral
Green/Yellow Green	○	Ground



Connect the front part with the power