



SPECIFICATION FEATURE:

WIDELY USED FOR OUTDOOR COMMERCIAL SECURITY LIGHTING

OPTIONAL PHOTOCELL AND CUSTOMIZBLE 347VAC

POLYCARBONATE OPTICAL LENS WITH UV STABILIZER

RUGGED DIE-CAST ALUMINUM HOUSING

25W

| | |
|------------------------------|-------------------------------------|
| INPUT VOLTAGE | 110 - 277 VAC |
| CRI | >80 |
| LUMEN PER WATT | 105 LM/W |
| AVAILABLE CCT | 4000K,5000K |
| LIFE SPAN | 50,000 HOURS |
| OPERATION TEMPERATURE | -22F ~ 104°F |
| LUMEN | 2600 |
| MOUNTING OPTIONS | WALL MOUNT OR JUNCTION MOUNT |



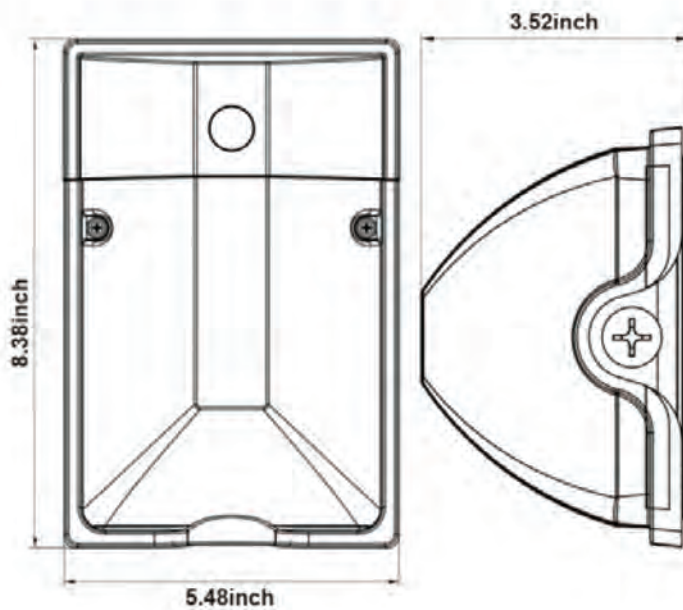
ORDERING OPTIONS:

25W

EXAMPLE: LED WM 25W 50K

| LEDWM | 25W | 50K | [BLANK] |
|------------------------|--|---|--|
| SERIES LEDWM | RATED WATTAGE 25W 25 WATT | COLOR TEMP 40K 4000 KELVIN 50K 5000 KELVIN | INPUT VOLTAGE BLANK -NO PHOTOCELL -PC -BUILD-IN PHOTOCELL |

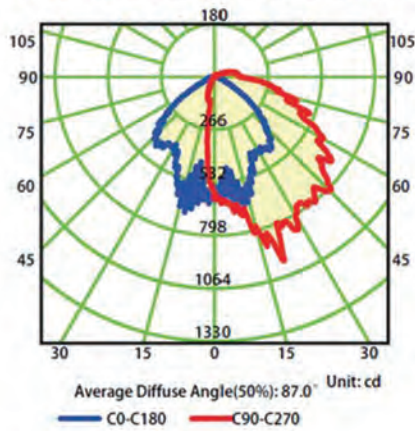
DIMENSIONS:



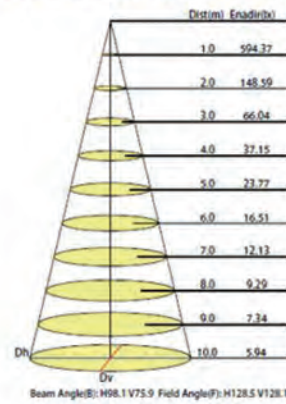


PHOTOMETRIC:

Luminous Intensity Distribution Curve

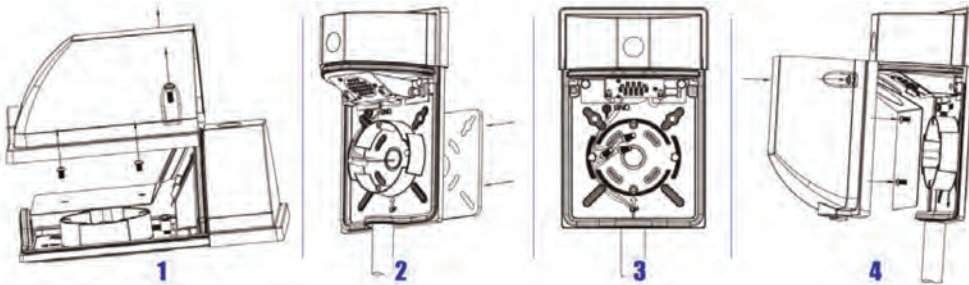


Illuminance at a Distance



INSTALLATION:

MOUNTING WITH 1/2" CONDUIT AT THE BOTTOM



MOUNTING WITH J-BOX

