

SPECIFICATION FEATURE:

WIDELY USED FOR OUTDOOR COMMERCIAL GENERAL LIGHTING PURPOSES

OPTIONAL PHOTOCELL AND CUSTOMIZABLE 347VAC

HEAD TILTS MAX 20 DEGREES FOR DIFFERENT LIGHTING PURPOSE

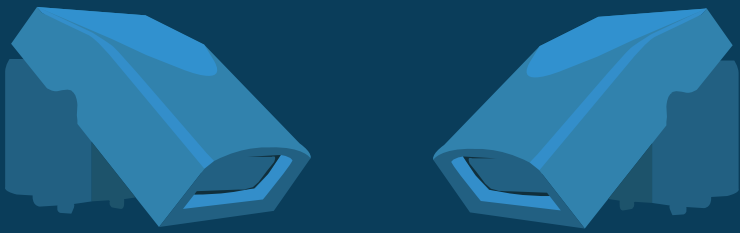
RUGGED DIE-CAST ALUMINUM HOUSING

30W

INPUT VOLTAGE	110-277VAC
CRI	>80
LUMEN PER WATT	112 LM/W
AVAILABLE CCT	3000K,4000K,5000K
LIFE SPAN	50,000 HOURS
OPERATION TEMPERATURE	-40F ~ 104°F
LUMEN	3300
MOUNTING OPTIONS	WALL MOUNT

40W

INPUT VOLTAGE	110-277VAC
CRI	>80
LUMEN PER WATT	112 LM/W
AVAILABLE CCT	3000K,4000K,5000K
LIFE SPAN	50,000 HOURS
OPERATION TEMPERATURE	-40F ~ 104°F
LUMEN	4400
MOUNTING OPTIONS	WALL MOUNT



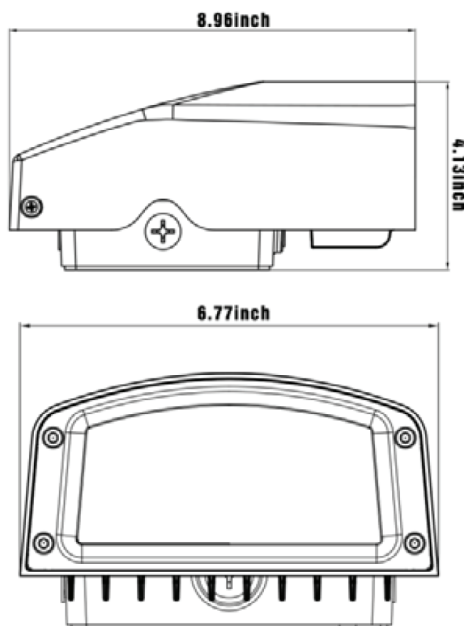
ORDERING OPTIONS:

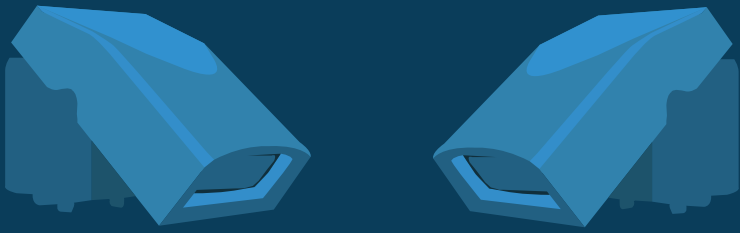
EXAMPLE: LEDACUWP 40W 50K

40W

LEDACUWP	40W	50K	[BLANK]	[BLANK]	[BLANK]
SERIES LEDACUWP	RATED WATTAGE 40W 40 WATT	COLOR TEMP 30K 3000 KELVIN 40K 4000 KELVIN 50K 5000 KELVIN	INPUT VOLTAGE BLANK 110 - 277 VAC	FINISHING BLANK DARK BRONZE	OPTIONS BLANK -NO PHOTOCELL -PC -TWIST LOCK PHOTOCELL

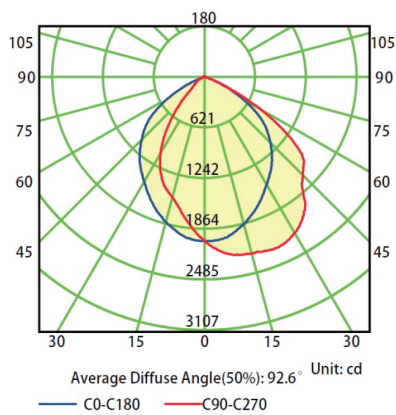
DIMENSIONS:



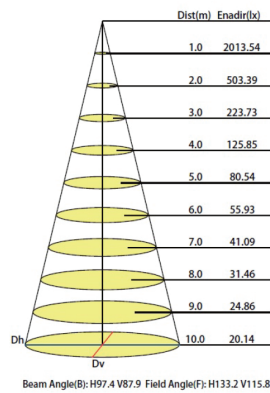


PHOTOMETRIC:

Luminous Intensity Distribution Curve



Illuminance at a Distance



INSTALLATION:

