



# LIRON LIGHTING

Proudly Designed and MAde for America

## Adjustable Cut -Off Wall Pack (LEDACUWP)



PROJECT: \_\_\_\_\_

CATALOG: \_\_\_\_\_

FIXTURE TYPE: \_\_\_\_\_

NOTES: \_\_\_\_\_



### DESCRIPTION

Adjustable cut-off wall pack is available in three wattage for variety of applications including building perimeter, entrances, stairways and security lighting. It provides a low-profile architectural style with the power of bright, energy efficient LEDs. It has a rugged aluminum construction with multi-mount capabilities. 0 to 90 degree tilt adjustments. For a building that has a modern or futuristic look.

### APPLICATIONS

Building entry, walkways, security, pathway and perimeter lighting.

### PERFORMANCE INFORMATION

		3000K(70CRI)		4000K(70CRI)		5000K(70CRI)	
SYSTEM WATTAGE	VOLTAGE	LUMENS	LPW	LUMENS	LPW	LUMENS	LPW
27W	120-277VAC	3500lm	130lm/W	3600lm	133lm/W	3600lm	133lm/W
40W	120-277/347-480VAC	5000lm	125lm/W	5200lm	130lm/W	5200lm	130lm/W
67W	120-277/347-480VAC	8600lm	128lm/W	8800lm	131lm/W	8800lm	131lm/W

ORDERING GUIDE				EXAMPLE LEDACUWP 40W 50K	
Series	Wattage	CCT	Voltage	Finish	Options
LEDACUWP	<input type="checkbox"/> 27W 27 WATT	<input type="checkbox"/> 30K 3000K	<input type="checkbox"/> Blank 110 -270 VAC	<input type="checkbox"/> Blank Dark Bronze	<input type="checkbox"/> Blank -No Photocell
	<input type="checkbox"/> 40W 40 WATT	<input type="checkbox"/> 40K 4000K	<input type="checkbox"/> HV 347-480 VAC		<input type="checkbox"/> PC - Internal Photocell
	<input type="checkbox"/> 67W 67 WATT	<input type="checkbox"/> 50K 5000K			



# LIRON LIGHTING

Proudly Designed and MAde for America



## SPECIFICATION

### Housing

Low-profile LED design with rugged die-cast aluminum housing.

### Finish

Standard dark bronze polyester powder coat

### Mounting

Surface mounting with 0°-90° tilt angle adjustments

### Ambient Temperature

Operating temperature is -40°F to 131°F

### Options

Photocell

### Efficacy

Up to 125 lumens per watt

### CRI

70(CRI)

### Lifespan

50,000 hours LED lifespan

### Lumens

From 3,600 to 10,500 lumens

### CCT

3000K, 4000K and 5000k available

### Electrical

Voltage 120-277V

### Compliance

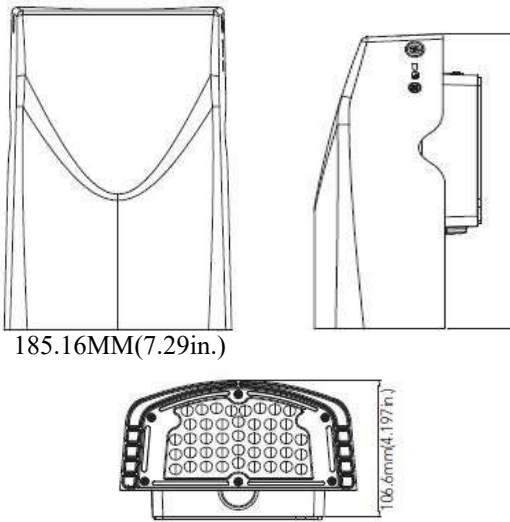
Luminaires are cULus listed for damp locations -20 °C - 40°C. Design Light Consortium® Qualified and classified for DLC Premium, refer to [www.designlights.org](http://www.designlights.org) for details.

### Warranty

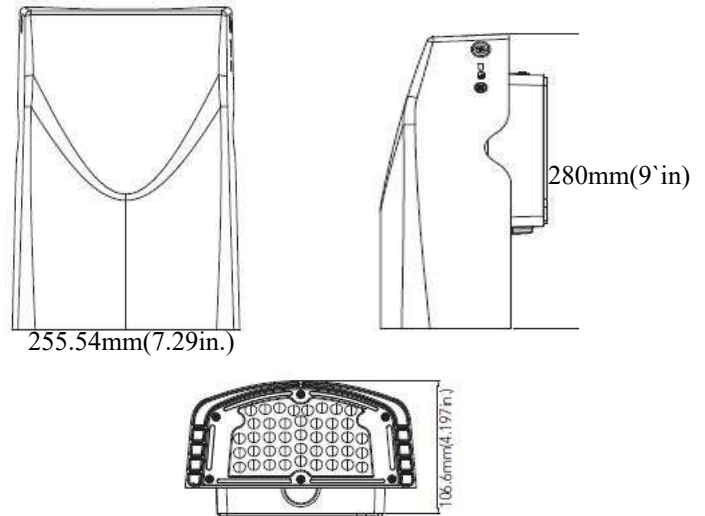
Five year warranty

## DIMENSIONS

Small Size:27W/40W

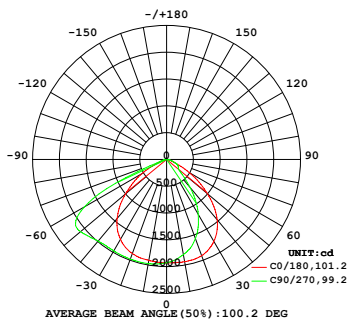


Medium Size: 67W

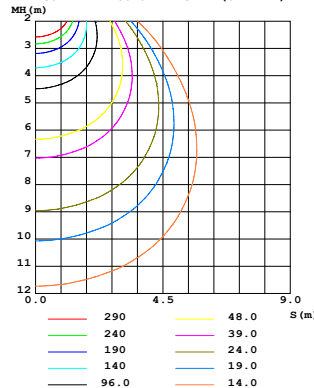


## PHOTOMETRICS

LUMINOUS INTENSITY DISTRIBUTION DIAGRAM



C0 PLANE ISOLUX DIAGRAM (UNIT:lx)





## OPTIONS



WP- INTERNAL PHOTOCELL

### Description

#### WP-INTERNAL PHOTOCELL

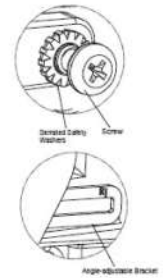
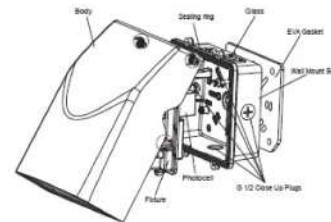
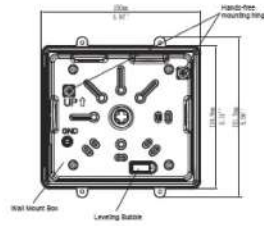
- Dusk to dawn photocell sensor
- Internally installed in the fixture.
- Reduce maintenance cost and energy consumption
- UL Listed global safety certification

Voltage	Delay Time	Operating Temp	Function
120/277VAC 50/60Hz	Up ot 15 Sec	-40 -158°F	Dusk to dawn switch

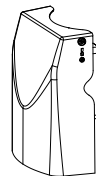
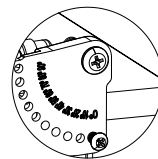
## INSTALLATION

### MOUNTING TO A WALL

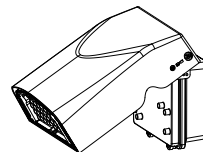
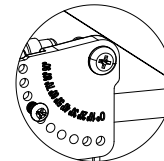
1. Open the back box by loosening the locking screw.
2. Verify and remove only necessary gasket material where back box will mount.
3. Knockout back box material for necessary mounting location.
4. Mount back box to junction box securely, using hardware supplied by others.
5. Connect electrical connections with fixture wiring.
6. Seal back box to housing by pushing on front of housing while tightening locking screw to ensure that screw is fully seated in the housing recess. Ensure wiring remains within back box and wires do not get pinched. Using a silicone rubber will ensure a water-tight seal.
7. If light output angle needs to be adjusted, loosen screw to rotate the fixture to desired light output angle. Tighten screw once desired light output angle is achieved.



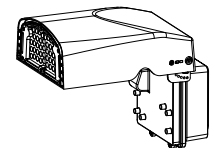
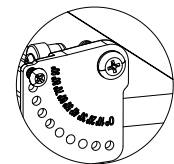
0°



60°



90°



## PERFORMANCE DATA

### ELECTRICAL LOAD

WATTAGE	Current(A)			
	120V	208V	240V	277V
27W	0.23	0.13	0.11	0.10
40W	0.33	0.19	0.17	0.14
67W	0.56	0.32	0.28	0.24

### Projected LED Lumen Maintenance

Operation Hours	1	25,000	50,000	100,000
Lumen Maintenance	2	0.97	0.97	0.97

### Lumen Ambient Temperature Multipliers

Ambient		Lumen Multipliers
0°C	32°F	1.04
5°C	41°F	1.04
10°C	50°F	1.03
15°C	59°F	1.02
20°C	68°F	1.01
25°C	77°F	1.00
30°C	86°F	0.99
35°C	95°F	0.98
40°C	100°F	0.97

#### Mounting

0 to 90 degree tilt adjustments, to meet the needs of customers with different lighting angle

#### Housing

Suitable for both indoor and outdoor application, also suitable for JBOX mouting and surface mounting.



#### Photocell

Optional for photocell, and allows for security and energy

#### Lens

Polycarbonate optical lens with UV stabilizers do not exhibit yellowing and deformation.