

PROJECT: _____

CATALOG: _____

FIXTURE TYPE: _____

NOTES: _____

LEDSFL

15W & 27W
(SMALL)



LEDMFL

45W & 60W
(MEDIUM)



LEDLFL

70W & 100W
(LARGE)



LEDXLFL

135W & 200W
(XLARGE)



Description

The LEDFL luminaire is a high performance LED lighting solution designed with optical versatility and a slim, low profile design. Its rugged cast aluminum housing minimizes wind load requirements and features an integral, watertight LED driver compartment and high performance aluminum heat sink. This luminaire comes in small, medium, large and x-large. A variety of mounting options are also available including knuckle, trunnion, and slipfitter.

Application

Parking lots, walkways, campuses, car dealerships, office complexes, and internal roadways

Performance Data

LEDSFL				3000K		4000K		5000K		Replacement
WATTAGE	VOLTAGE	DIST. TYPE	CRI	LUMENS	LPW	LUMENS	LPW	LUMENS	LPW	Replace
15W	120-277VAC	7HX6V	70	1950lm	130lm/W	2000lm	133lm/W	2000lm	133lm/W	70W MH
27W	120-277VAC	7HX6V	70	3500lm	130lm/W	3600lm	133lm/W	3600lm	133lm/W	100W MH
45W	120-277VAC	7HX6V	70	5550lm	123lm/W	5650lm	126lm/W	5650lm	126lm/W	150W MH
60W	120-277VAC	7HX6V	70	7250lm	121lm/W	7450lm	124lm/W	7450lm	124lm/W	175W MH
60W	347-480VAC	7HX6V	70	7500lm	125lm/W	7600lm	127lm/W	7600lm	127lm/W	175W MH
70W	120-277VAC	7HX6V	70	8700lm	124lm/W	8900lm	127lm/W	8900lm	127lm/W	250W MH
70W	347-480VAC	7HX6V	70	9100lm	130lm/W	9300lm	133lm/W	9300lm	133lm/W	250W MH
100W	120-277VAC	7HX6V	70	13100lm	131lm/W	13300lm	133lm/W	13300lm	133lm/W	250W MH
135W	120-277VAC	7HX6V	70	17100lm	127lm/W	17500lm	130lm/W	17800lm	132lm/W	400W MH
135W	347-480VAC	7HX6V	70	17100lm	127lm/W	17500lm	130lm/W	17800lm	132lm/W	400W MH
200W	120-277VAC	7HX6V	70	24600lm	123lm/W	25600lm	128lm/W	26000lm	130lm/W	400W MH
200W	347-480VAC	7HX6V	70	24600lm	123lm/W	25600lm	128lm/W	26000lm	130lm/W	400W MH



LIRON LIGHTING

Proudly Designed and MAded for America

LEDSFL				EXAMPLE			LEDSFL27W40K	
SERIES	WATTAGE	CCT	VOLTAGE	Dimmable	FINISH	PHOTOCELL(Optional)	MOUNTING (Optional)	
LEDSFL	<input type="checkbox"/> 15W 15WATT	<input type="checkbox"/> 30K 3000K	<input type="checkbox"/> BLANK 120-277V	<input type="checkbox"/> BLANK NO DIM	<input type="checkbox"/> Blank Dark Bronze	<input type="checkbox"/> Blank No Photocell	<input type="checkbox"/> -KN	Knuckle Mount
	<input type="checkbox"/> 27W 27WATT	<input type="checkbox"/> 40K 4000K		<input type="checkbox"/> DIM 0 -10V DIM	<input type="checkbox"/> WH White	<input type="checkbox"/> -PC Internal Photocell	<input type="checkbox"/> -TM	Trunnion Mount
		<input type="checkbox"/> 50K 5000K						

LEDMFL				EXAMPLE			LEDMFL45W40K		
SERIES	WATTAGE	CCT	VOLTAGE	Dimmable	FINISH	PHOTOCELL(Optional)	MOUNTING (Optional)		
LEDMFL	<input type="checkbox"/> 45W 45WATT	<input type="checkbox"/> 30K 3000K	<input type="checkbox"/> BLANK 120-277V	<input type="checkbox"/> BLANK NO DIM	<input type="checkbox"/> Blank Dark Bronze	<input type="checkbox"/> Blank No Photocell	<input type="checkbox"/> -KN	Knuckle Mount	
	<input type="checkbox"/> 60W 60WATT	<input type="checkbox"/> 40K 4000K		<input type="checkbox"/> HV 347-480V	<input type="checkbox"/> DIM 0 -10V DIM	<input type="checkbox"/> WH White	<input type="checkbox"/> -PC Internal Photocell	<input type="checkbox"/> -TM	Trunnion Mount
		<input type="checkbox"/> 50K 5000K							

LEDLFL				EXAMPLE			LEDLFL70W40K		
SERIES	WATTAGE	CCT	VOLTAGE	Dimmable	FINISH	PHOTOCELL(Optional)	MOUNTING (Optional)		
LEDLFL	<input type="checkbox"/> 70W 70WATT	<input type="checkbox"/> 30K 3000K	<input type="checkbox"/> BLANK 120-277V	<input type="checkbox"/> BLANK NO DIM	<input type="checkbox"/> Blank Dark Bronze	<input type="checkbox"/> Blank No Photocell	<input type="checkbox"/> -TM	Trunnion Mount	
	<input type="checkbox"/> 100W 100WATT	<input type="checkbox"/> 40K 4000K		<input type="checkbox"/> HV 347-480V	<input type="checkbox"/> DIM 0 -10V DIM	<input type="checkbox"/> WH White	<input type="checkbox"/> -PC Internal Photocell	<input type="checkbox"/> -SP	Slipsfitter Mount
		<input type="checkbox"/> 50K 5000K							

LEDXLFL				EXAMPLE			LEDXLFL135W40K		
SERIES	WATTAGE	CCT	VOLTAGE	Dimmable	FINISH	PHOTOCELL(Optional)	MOUNTING (Optional)		
LEDXLFL	<input type="checkbox"/> 135W 135WATT	<input type="checkbox"/> 30K 3000K	<input type="checkbox"/> BLANK 120-277V	<input type="checkbox"/> BLANK NO DIM	<input type="checkbox"/> Blank Dark Bronze	<input type="checkbox"/> Blank No Photocell	<input type="checkbox"/> -TM	Trunnion Mount	
	<input type="checkbox"/> 200W 200WATT	<input type="checkbox"/> 40K 4000K		<input type="checkbox"/> HV 347-480V	<input type="checkbox"/> DIM 0 -10V DIM	<input type="checkbox"/> WH White	<input type="checkbox"/> -PC Internal Photocell	<input type="checkbox"/> -SP	Slipsfitter Mount
		<input type="checkbox"/> 50K 5000K							

1. 15W,27W, 45W, 60W only suitable for non dimming
2. 70W, 100W, 135W, 200W suitable for dimming
3. Only 60W, 70W, 135W, 200W suitable for 347-480V input voltage

SPECIFICATION

Housing

Electrical compartment and fitter are all made from die case aluminum that is pre-treated and power-coated to meet the most rugged industry standards

Lens

Polycarbonate as an outer coating is used for our LED flood light to achieve an optimal lighting performance and durability. The doorframe is sealed with an extruded silicone gasket to prevent moisture from accumulating

Mounting

Knuckle Mount
Trunnion Mount
Slipsfitter Mount

Ambient Temperature

Operating temperature -40°F to 131°F

Finish

Polyester powder finish with multiple color

Options

Photocell

Efficacy

Up to 138 lumens per watt

CRI

>70(CRI)

Lifespan

over 50,000 hours LED lifespan

Lumens

From 2000 to 26000 lumens

CCT

3000K, 4000K and 5000K available

Electrical

Voltage 120-277V or 347V-480V
50/60Hz operation;

Optics

Superior lighting uniformity for vertical and horizontal 7HX6V flood distribution while reducing back light from pole

Compliance

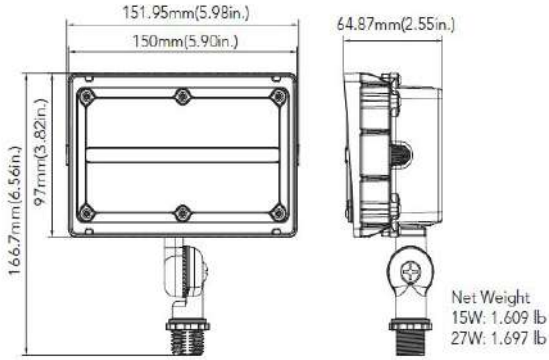
UL listed for wet location, IP65 Rating.

Warranty

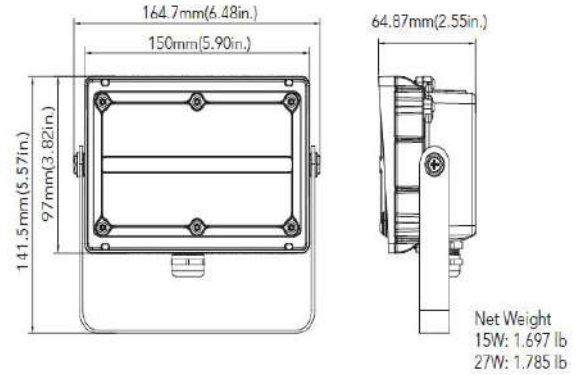
Five year warranty

DIMENSION

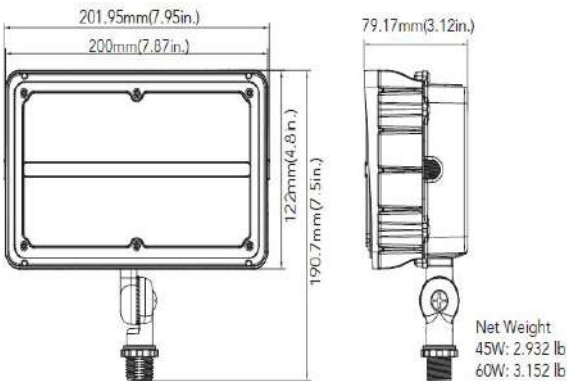
15W & 27W (Knuckle Mount)



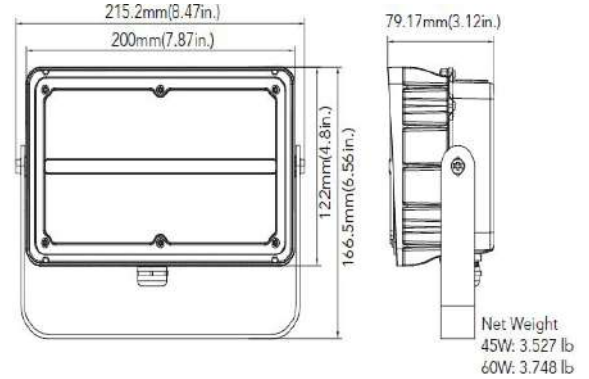
15W & 27W (Trunnion Mount)



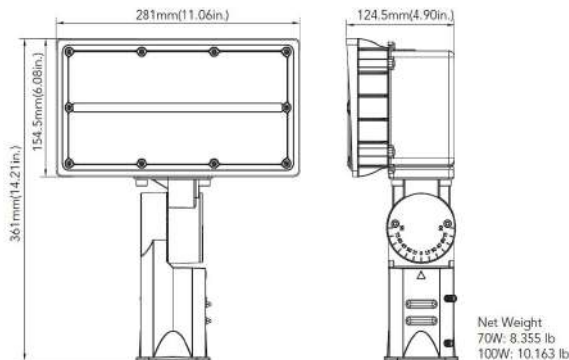
45W&60W(Knuckle Mount)



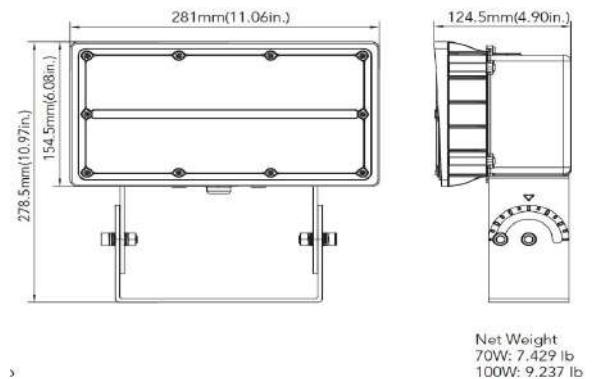
45W&60W(Trunnion Mount)



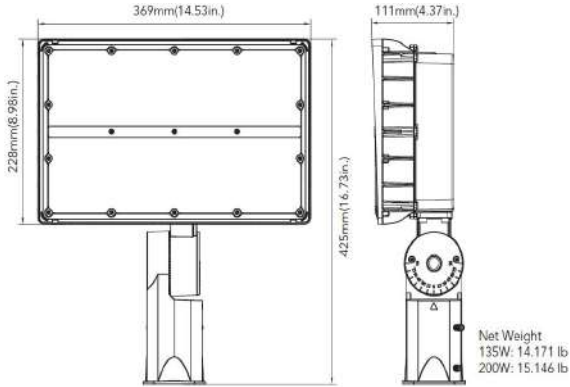
70W&100W(Slipfitter Mount)



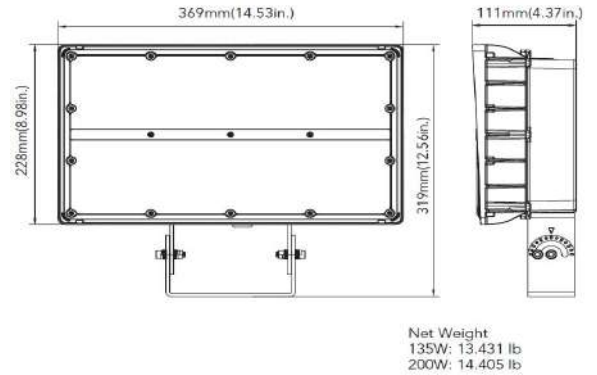
70W&100W(Trunnion Mount)



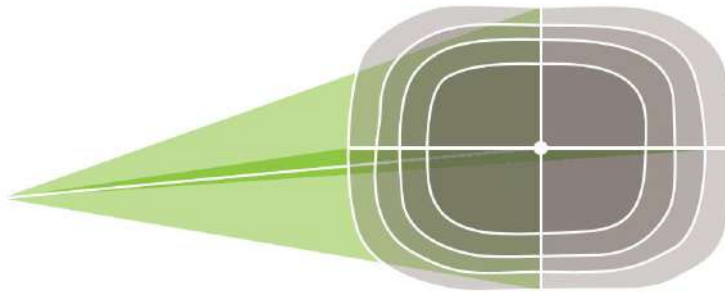
135W&200W(Slipfitter Mount)



135W&200W(Trunnion Mount)



PHOTOMETRIES



7HX6V

OPTIONAL ACCESSORIES



WPPC - INTERNAL PHOTOCELL

INTERNAL PHOTOCELL

- Dusk to dawn photocell sensor
- Internally installed in the fixture.
- Reduce maintenance cost and energy consumption
- UL Listed global safety certification

Voltage	Delay Time	Operating Temp	Function
120/277 VAC 50/60HZ	Up to 15 Sec	40°F to 158°F	Dusk to dawn switch

1/2" Knuckle Mount (Figure 1)

1. Thread knuckle into the 1/2" hole and secure it with 1/2" locknut
2. Make electrical connections from the supply ground(L/N) lead to fixture ground(L/N) lead respectively, making sure to follow all national electrical code and all applicable local codes and ordinances.
3. Aim fixture by loosening screw on knuckle of fitter and rotating fixture to desired tilt angle. Re-tighten screw.
4. While making electrical connections, ensuring water does not enter fixture through 1/2" fitter
5. Installation and service of luminaires should be performed by a qualified licensed electrician

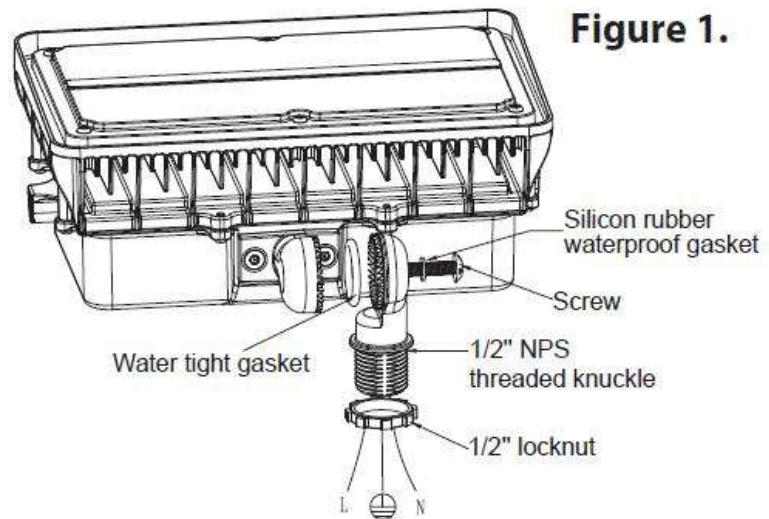


Figure 1.

Trunnion Mounting (Figure 2)

1. Mounting fixture onto surface using the hole pattern provided on the trunnion bracket.
2. Make electrical connections from the supply ground (L/N) lead to fixture ground (L/N) lead respectively, making sure to follow all National Electrical Code and all applicable local codes and ordinances
3. Aim fixture by loosening screw on knuckle of fitter and rotating fixture to desired tilt angle. Re-tighten screw.
4. While making electrical connections, ensuring water does not enter fixture through 1/2" fitter
5. Installation and service of luminaires should be performed by a qualified licensed electrician

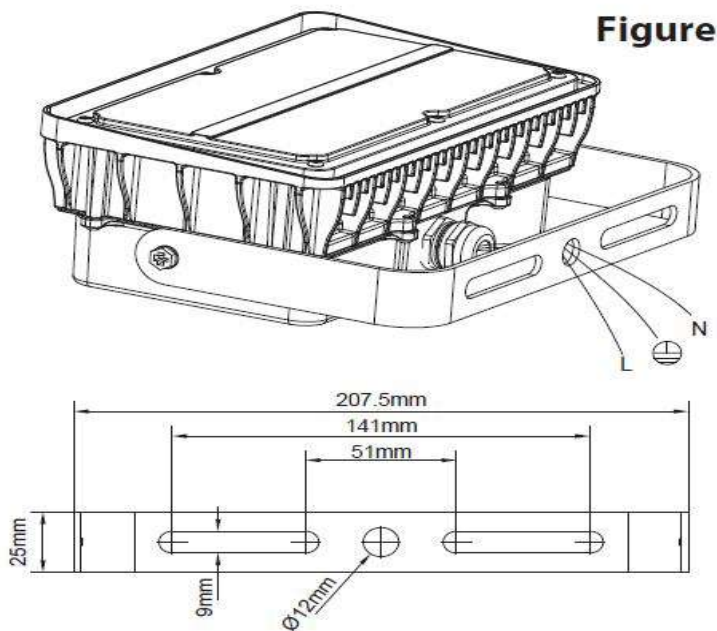


Figure 2.



LIRON LIGHTING

Proudly Designed and MAde for America



1/2" Knuckle Mount
(15W/27W/45W/60W)



Trunnion Mount
(15W/27W/45W/60W)



Slifitter Mount
(70W/100W/135W/200W)



Trunnion Mount
(70W/100W/135W/200W)

PERFORMANCE DATA

		CURRENT(A)					
# of DRIVER	WATTAGE	120V	208V	240V	277V	347V	480V
1	15W	0.13	0.07	0.06	0.05	0.04	0.03
1	27W	0.23	0.13	0.11	0.1	0.08	0.06
1	45W	0.38	0.22	0.19	0.16	0.13	0.09
1	60W	0.5	0.29	0.25	0.22	0.17	0.13
1	70W	0.58	0.34	0.29	0.25	0.2	0.15
1	100W	0.83	0.48	0.42	0.36	0.29	0.21
2	135W	1.13	0.65	0.56	0.49	0.39	0.28
2	200W	1.67	0.96	0.83	0.72	0.58	0.42

LEDSFL				3000K		4000K		5000K		Replacement
WATTAGE	VOLTAGE	DIST.TYPE	CRI	LUMENS	LPW	LUMENS	LPW	LUMENS	LPW	Replace
15W	120-277VAC	7HX6V	70	1950lm	130lm/W	2000lm	133lm/W	2000lm	133lm/W	70W MH
27W	120-277VAC	7HX6V	70	3500lm	130lm/W	3600lm	133lm/W	3600lm	133lm/W	100W MH
45W	120-277VAC	7HX6V	70	5550lm	123lm/W	5650lm	126lm/W	5650lm	126lm/W	150W MH
60W	120-277VAC	7HX6V	70	7250lm	121lm/W	7450lm	124lm/W	7450lm	124lm/W	175W MH
60W	347-480VAC	7HX6V	70	7500lm	125lm/W	7600lm	127lm/W	7600lm	127lm/W	175W MH
70W	120-277VAC	7HX6V	70	8700lm	124lm/W	8900lm	127lm/W	8900lm	127lm/W	250W MH
70W	347-480VAC	7HX6V	70	9100lm	130lm/W	9300lm	133lm/W	9300lm	133lm/W	250W MH
100W	120-277VAC	7HX6V	70	13100lm	131lm/W	13300lm	133lm/W	13300lm	133lm/W	250W MH
135W	120-277VAC	7HX6V	70	17100lm	127lm/W	17500lm	130lm/W	17800lm	132lm/W	400W MH
135W	347-480VAC	7HX6V	70	17100lm	127lm/W	17500lm	130lm/W	17800lm	132lm/W	400W MH
200W	120-277VAC	7HX6V	70	24600lm	123lm/W	25600lm	128lm/W	26000lm	130lm/W	400W MH
200W	347-480VAC	7HX6V	70	246000lm	123lm/W	25600lm	128lm/W	26000lm	130lm/W	400W MH

OPERATING HOURS	0	25,000	50,000	100,000
Lumen Maintenance	1	0.97	0.97	0.96



LIRON LIGHTING

Proudly Designed and MAde for America

Housing

Electrical compartment and fitter are all made from die case aluminum that is pre-treated and power-coated to meet the most rugged industry standards

Photocell (Optional)

Allows for security and energy saving



Lens

Polycarbonate as an outer coating is used for our LED flood light to achieve an optimal lighting performance and durability. The doorframe is sealed with an extruded silicone gasket to prevent moisture from accumulating

Various mounting option

- Knuckle
- Trunnion
- Sliffiter