

SPECIFICATION FEATURE:



ALUMINUM HOUSING WITH UV RESISTANT POWDER COAT FINISH

POLYCARBONATE LENS

UL LISTED FOR OUTDOOR APPLICATIONS

WITH WIDE FLOOD BEAM SPREAD 7H X 7V

RUGGED DIE-CAST ALUMINUM HOUSING

15W

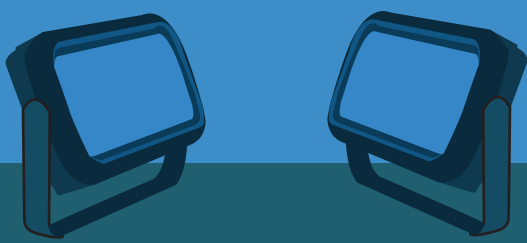
INPUT VOLTAGE	110 - 277 VAC
CRI	>70
LUMEN PER WATT	100 LM/W
AVAILABLE CCT	3000K,5000K
LIFE SPAN	50,000 HOURS
OPERATION TEMPERATURE	-40F ~ 104°F
LUMEN	1,500
MOUNTING OPTIONS	KNUCKLE MOUNTING TRUNNION MOUNTING

30W

INPUT VOLTAGE	110 - 277 VAC
CRI	>70
LUMEN PER WATT	100 LM/W
AVAILABLE CCT	3000K,5000K
LIFE SPAN	50,000 HOURS
OPERATION TEMPERATURE	-40F ~ 104°F
LUMEN	3,000
MOUNTING OPTIONS	KNUCKLE MOUNTING TRUNNION MOUNTING

45W

INPUT VOLTAGE	110 - 277 VAC
CRI	>70
LUMEN PER WATT	120 LM/W
AVAILABLE CCT	3000K,5000K
LIFE SPAN	50,000 HOURS
OPERATION TEMPERATURE	-40°F ~ 104°F
LUMEN	5,400
MOUNTING OPTIONS	KNUCKLE MOUNTING TRUNNION MOUNTING



ORDERING OPTIONS:

15W - 30W

EXAMPLE: LEDFL 15W 50K 277V -KN

LEDFL	15W	50K	277	[BLANK]	-KN
SERIES LEDFL	RATED WATTAGE 15W 15 WATT 30W 30 WATT	COLOR TEMP 30K 3000 KELVIN 50K 5000 KELVIN	INPUT VOLTAGE BLANK 110 - 277 VAC	FINISHING BLANK DARK BRONZE	MOUNTING -KN -1/2" KNUCKLE MOUNT -TM TRUNNION MOUNT

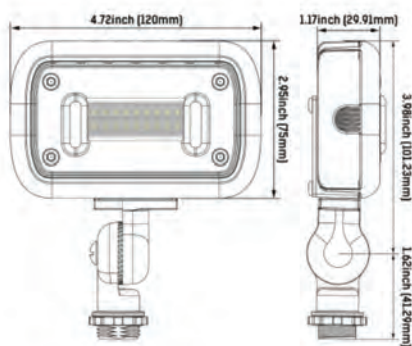
45W

EXAMPLE: LEDFL 45W 50K 277V -KN

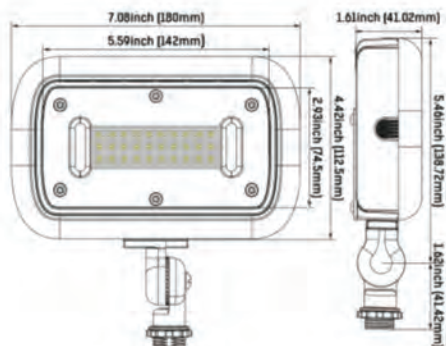
LEDFL	45W	50K	277	[BLANK]	-KN
SERIES LEDFL	RATED WATTAGE 45W 45 WATT	COLOR TEMP 30K 3000 KELVIN 50K 5000 KELVIN	INPUT VOLTAGE BLANK 110 - 277 VAC	FINISHING BLANK DARK BRONZE	MOUNTING -KN -1/2" KNUCKLE MOUNT -TM TRUNNION MOUNT

DIMENSIONS:

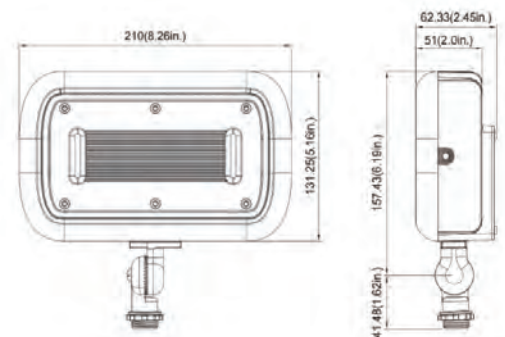
15W

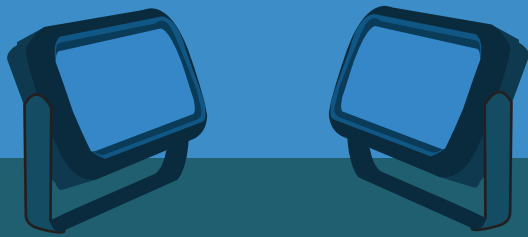


30W



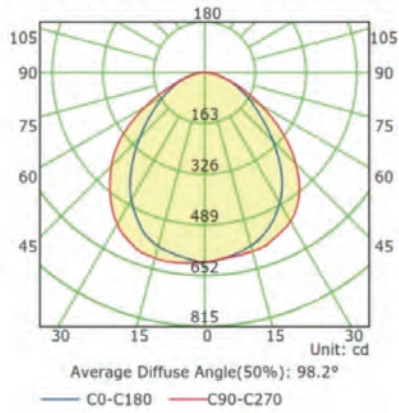
45W



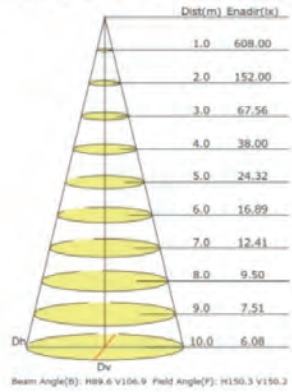


PHOTOMETRIC:

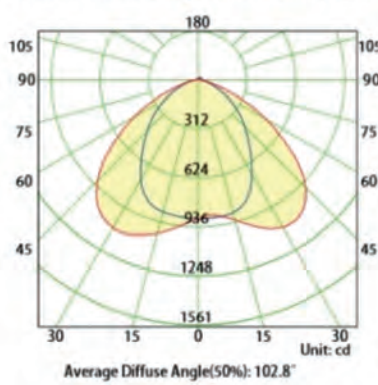
Luminous Intensity Distribution Curve



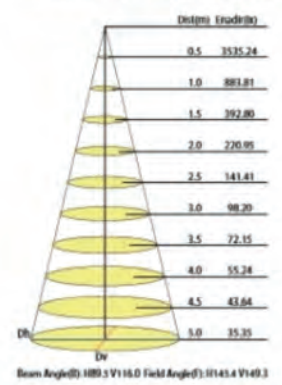
Illuminance at a Distance



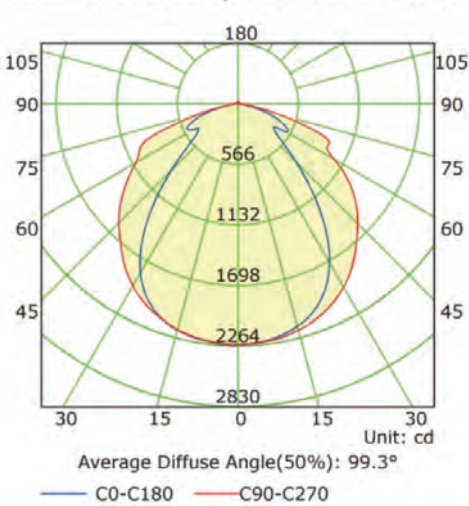
Luminous Intensity Distribution Curve



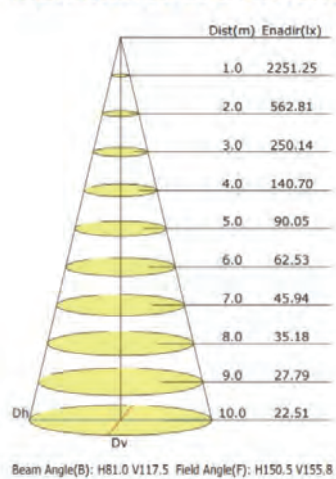
Illuminance at a Distance

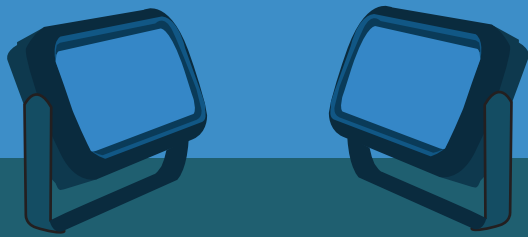


Luminous Intensity Distribution Curve

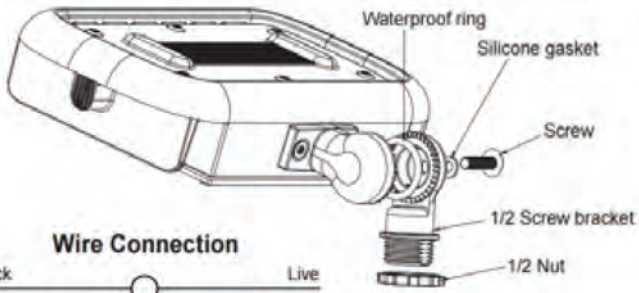


Illuminance at a Distance





INSTALLATION:



Wire Connection

Black	○	Live
White	○	Neutral
Green/Yellow Green	○	Ground

