

SPECIFICATION FEATURE:

SEALED DIE-CASTING PROFILE FOR INDOOR AND OUTDOOR APPLICATIONS

LUMEN OUTPUT FOR 40 WATT IS 5,400
LUMEN OUTPUT FOR 27 WATT IS 3,750

INCREASES ENERGY SAVING WITH BI-LEVEL PIR SENSOR

WIDELY USED FOR OUTDOOR LOWER CEILING PORCH, HALLWAY, PARKING GARAGE AND OTHER GENERAL COMMERCIAL LIGHTING PURPOSE

RUGGED DIE-CAST ALUMINUM HOUSING

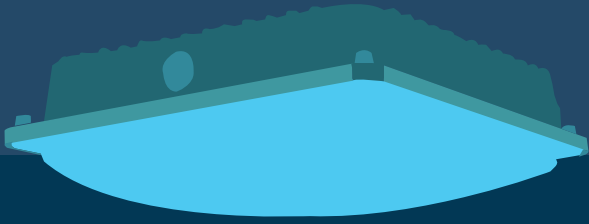
EXTERNAL MOTION SENSOR, PHOTOCELL, AND BATTERY BACKUP OPTIONS

27 WATT

INPUT VOLTAGE	110-277VAC
CRI	> 75
LUMEN PER WATT	> 140 LM/W
AVAILABLE CCT	4000K,5000K
LIFE SPAN	50,000 HOURS
OPERATION TYPE	-40F ~ 104F
BEAM ANGLE	120
MOUNTING OPTIONS	SURFACE MOUNT, PENDENT

40 WATT

INPUT VOLTAGE	110-277VAC
CRI	> 75
LUMEN PER WATT	> 136 LM/W
AVAILABLE CCT	4000K,5000K
LIFE SPAN	50,000 HOURS
OPERATION TYPE	-40F ~ 104F
BEAM ANGLE	120
MOUNTING OPTIONS	SURFACE MOUNT, PENDENT



ORDERING OPTIONS:

27W - 40W

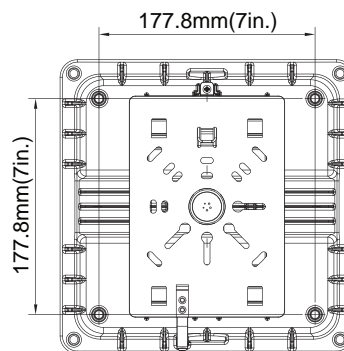
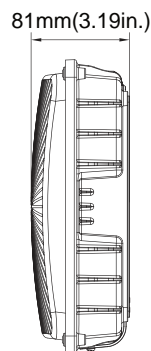
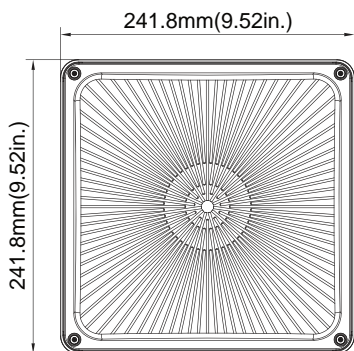
EXAMPLE : LEDCNP 40W 50K 277V

LEDCNP	40W	50K	277V	-[BLANK]	-[BLANK]	-[BLANK]	-[BLANK]
SERIES LEDCNP	RATED WATTAGE 27W 27 WATT 40W 40 WATT	COLOR TEMP 40K 4000KELVIN 50K 5000KELVIN	INPUT VOLTAGE BLANK 110 - 277 VAC	FINISHING BLANK DARK BRONZE WH WHITE	DIMMING BLANK - NON DIMMABLE D - 0-10V DIMMABLE	EMERGENCY BATTERY OPTION BLANK - WITHOUT EMERGENCY BATTERY EM - WITH EMERGENCY BATTERY	ACCESSORIES BLANK - WITHOUT ACCESSORIES MS - WITH MOTION SENSOR PC - WITH PHOTOCELL

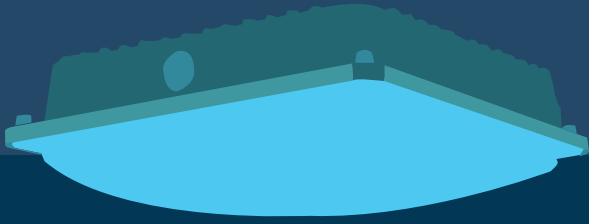
DIMENSIONS:

DIMENSION

unit: inch/mm



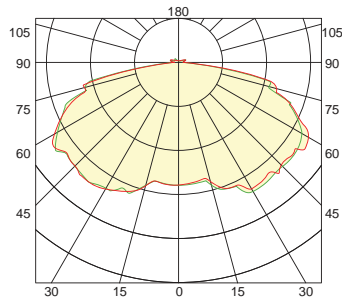
Net Weight:
27W: 3.615lb
40W: 4.166lb



PHOTOMETRIC:

PHOTOMETRICS

Parking Garage



INSTALLATION:

1 ● 2 ● 3 EASY INSTALLATION



1 Remove lens and reflector; mount to desired surface and make electrical connections.



2 Replace white reflector using existing slotted mounts.



3 Replace lens, and turn on the power.



ACCESSORY OPTIONS:

3/4 INCH THREADED HOLE

support pendant mounting, wires coming out from the back for easier wire connections.

EMERGENCY BATTERY
900lm, 90min

1/2 INCH THREADED HOLE

Support wires coming out from the hole for easier wire connections. Optional PIR sensor allows for security and energy saving.

MOUNTING BRACKET

Suitable for J-BOX mounting, and easy for installation.

HOUSING

One piece die cast housing better waterproofing, suitable for both indoor and outdoor application.

LENS

Clear and frosted lens optional for different applications.

