

SPECIFICATION FEATURE:

DESIGNED FOR NEW CONSTRUCTION OR RETRO-FITTING

5000 KELVIN COLOR, AMBIENT DAYLIGHT

PHILLIPS LED WITH SELF-DEVELOPED CLASS 2 UL DRIVER

COMPATIBLE WITH MOST STREET LIGHT POLES, SECURITY LIGHT POLES AND LANDSCAPE LIGHT POLES

RUGGED DIE-CAST ALUMINUM HOUSING\

REPLACES 100W OR 175W MH OR HID LIGHT FIXTURES

45W

INPUT VOLTAGE	110 - 277 VAC / 480 VAC
CRI	>72
LUMEN PER WATT	110 LM/W
AVAILABLE CCT	4000K,5000K
LIFE SPAN	50,000 HOURS
OPERATION TEMPERATURE	-40°F ~ 104°F
LUMEN	4950
MOUNTING OPTIONS	WALL MOUNT, ARM MOUNT

70W

INPUT VOLTAGE	110 - 277 VAC / 480 VAC
CRI	>72
LUMEN PER WATT	110 LM/W
AVAILABLE CCT	4000K,5000K
LIFE SPAN	50,000 HOURS
OPERATION TEMPERATURE	-40°F ~ 104°F
LUMEN	7700
MOUNTING OPTIONS	WALL MOUNT, ARM MOUNT

ORDERING OPTIONS:

45W - 70W

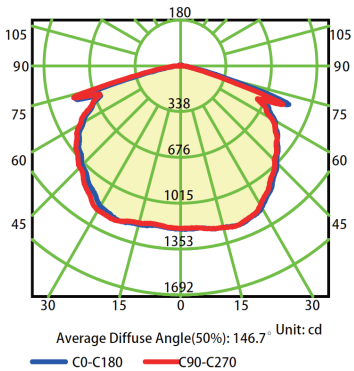
EXAMPLE: LEDSPK 45W 50K

LEDSPK	45W	50K	[BLANK]	[BLANK]	[BLANK]
SERIES LEDSPK	RATED WATTAGE 45W 45 WATT 70W 70 WATT	COLOR TEMP 40K 4000 KELVIN 50K 5000 KELVIN	INPUT VOLTAGE BLANK 110 - 277 VAC HV 480 VAC	FINISHING BLANK DARK BRONZE SG SILVER GRAY	OPTIONS BLANK NO PHOTOCELL -PC TWIST LOCK PHOTOCELL

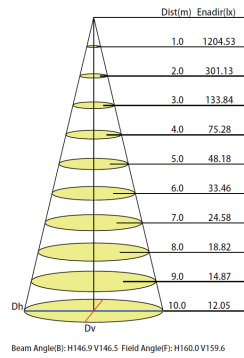
PHOTOMETRICS:

45W

Luminous Intensity Distribution Curve

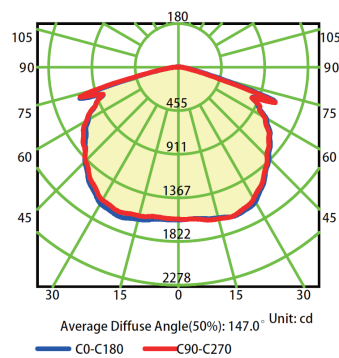


Illuminance at a Distance

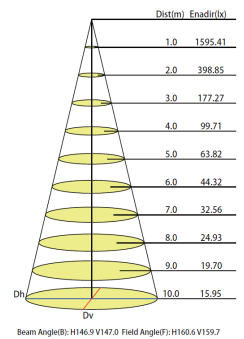


70W

Luminous Intensity Distribution Curve



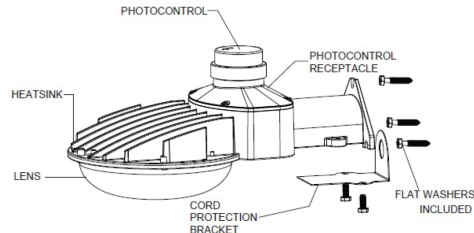
Illuminance at a Distance



INSTALLATION:

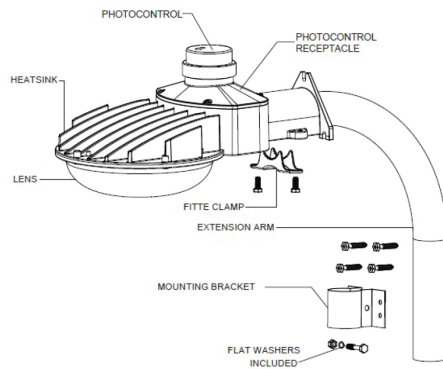
Wall Mounting

1. Place mounting section of fixture onto desired mounting surface, mark and drill holes for mounting.
2. Mount the fixture with bolts provided. Install the two bottom screws first. Place the fixture on the two bottom screws and install the top screw. Tighten the top screw first and then tighten the remaining screws.
3. Make wiring connections in the fixture. (White to Neutral lead, Black to Line lead, Yellow Green to Ground lead)
4. Put the cord protection bracket back on the fixture and fix it with screws provided.
5. Plug the twisted photocontrol or shorting cap into photocontrol receptacle.
6. Installation is completed



Arm Mounting

1. Install wall mounting bracket onto the wall with screws provided.
2. Insert arm into mounting bracket and secure it with carriage screws.
3. Feed supply wires through arm and make wiring connections in the fixture.
(White to Neutral lead, Black to Line lead, Yellow Green to Ground lead)
4. Secure the fixture on the arm with fitter clamp and screws provided.
5. Plug the twisted photocontrol or shorting cap into photocontrol receptacle.
6. Installation is completed



DIMENSIONS:

unit: mm/inch

