



5.0 PARKING LOT LED



ACCESSORIES OPTIONS:



PHOTOCELL



SPECIFICATION FEATURE

DESIGNED FOR INSTALLING NEW CONSTRUCTION OR RETROFITTING EXISTING COMMERCIAL BUILDING

FOUR DIFFERENT BRACKET DESIGNS FOR MULTIPLE MOUNTING OPTIONS

IP66 RATED FIXTURE WITH OUTSTANDING CORROSION PROTECTION

RUGGED DIE-CAST ALUMINUM HOUSING

DLC PREMIUM

SURGE PROTECTION

100W - 150W - 200W

INPUT VOLTAGE	110 - 277 VAC / 480 VAC
CRI	>70
LUMEN PER WATT	146 LM/W
AVAILABLE CCT	4000K, 5000K
LIFE SPAN	50,000 HOURS
OPERATION TEMPERATURE	-40°F ~ 113°F
LUMEN	100W - 14,600 150W - 21,000 LM 200W - 27,000 LM
LIGHT DISTRIBUTION TYPE	III, IV, V
BEAM ANGLE	DUE TO OPTICAL TYPE

250W - 300W - 350W

INPUT VOLTAGE	110 - 277 VAC / 480 VAC
CRI	>70
LUMEN PER WATT	146 LM/W
AVAILABLE CCT	4000K, 5000K
LIFE SPAN	50,000 HOURS
OPERATION TEMPERATURE	-40°F ~ 113°F
LUMEN	250W - 35,000 LM 300W - 42,000 LM 350W - 51,100 LM
LIGHT DISTRIBUTION TYPE	III, IV, V
BEAM ANGLE	DUE TO OPTICAL TYPE

ORDERING OPTIONS

100W - 150W - 200W

EXAMPLE: LEDTPK 200W 50K 3-SP

LEDTPK	200W	50K	[BLANK]	3	[BLANK]	-SP	[BLANK]
SERIES LEDTPK	RATED WATTAGE 100W 100 WATT 200W 200 WATT 150W 150 WATT	COLOR TEMP 40K 4000 KELVIN 50K 5000 KELVIN	INPUT VOLTAGE BLANK 110 - 277 VAC HV 480 VAC	DISTRIBUTION TYPE 3 TYPE III 4 TYPE III 5 TYPE V	FINISHING BLANK DARK BRONZE -BK BLACK -WH WHITE -SG SILVER GRAY	MOUNT -SP -SLIPFITTER -AM -DIRECT ARM MOUNT -WM -WALL MOUNT -TM -TRUNNION MOUNT	CONTROL ACCESSORY BLANK -NO ACCESSORY -ALPC TWIST LOCK PHOTOCELL -ALMS MOTION SENSOR

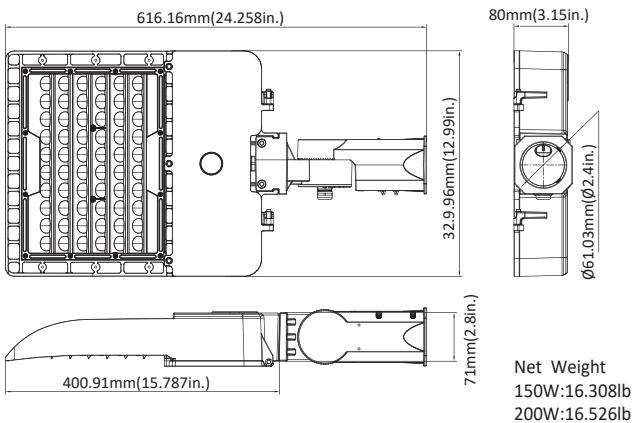
250W - 300W - 350W

EXAMPLE: LEDTPK 300W 50K 3-SP

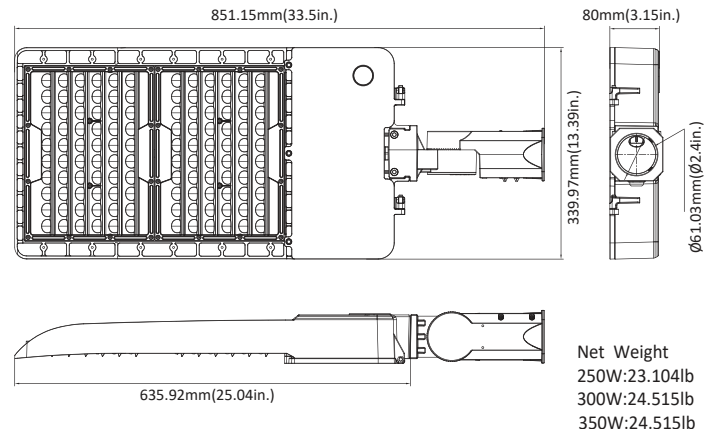
LEDTPK	300W	50K	[BLANK]	3	[BLANK]	-SP	[BLANK]
SERIES LEDTPK	RATED WATTAGE 250W 250 WATT 300W 300 WATT 350W 350 WATT	COLOR TEMP 40K 4000 KELVIN 50K 5000 KELVIN	INPUT VOLTAGE BLANK 110 - 277 VAC HV 480 VAC	DISTRIBUTION TYPE 3 TYPE III 4 TYPE III 5 TYPE V	FINISHING BLANK DARK BRONZE -BK BLACK -WH WHITE -SG SILVER GRAY	MOUNT -SP -SLIPFITTER -AM -DIRECT ARM MOUNT -WM -WALL MOUNT -TM -TRUNNION MOUNT	CONTROL ACCESSORY BLANK -NO ACCESSORY -ALPC TWIST LOCK PHOTOCELL -ALMS MOTION SENSOR

DIMENSIONS

100W - 150W - 200W



250W - 300W - 350W

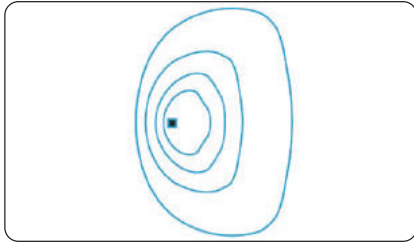


5.0 PARKING LOT LED

LIGHT DISTRIBUTION TYPE

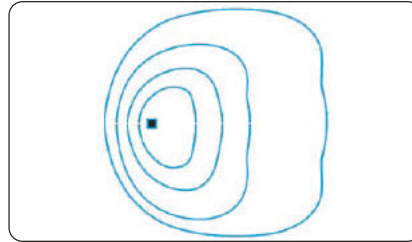
Type 3:

Type 3 optics produce an asymmetrical pattern that directs the majority of the light forward and equally on both sides of the luminaire. In a back-to-back configuration, it creates a rectangular pattern which can extend pole spacings.



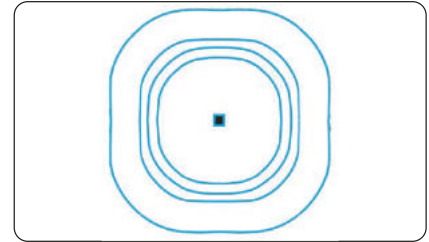
Type 4:

Type 4 is suitable for applications where light is primarily required forward with minimal backlight. Typical installations include perimeter poles.



Type 5:

Type 5 optics produce a symmetrical square distribution pattern that distributes light equally on all sides of the luminaire. Type 5 luminaires is universal for most area lighting applications.



OPTIONAL ACCESSORIES

Housing

Features a compact, one-piece die cast housing, saving costs versus models that are extruded or cast and require additional parts. The heat sink is included in the actual casting, further minimizing

PHOTOMETRY






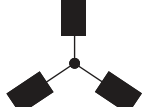

Optional Type III or type IV or type V Photometry as per applications.



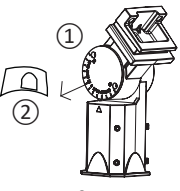
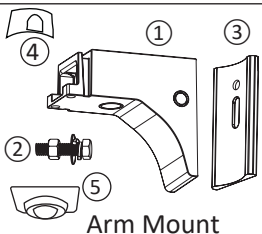
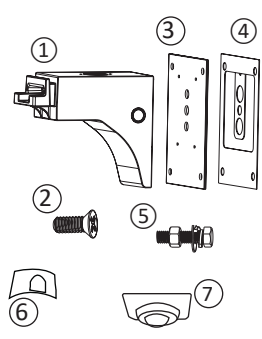
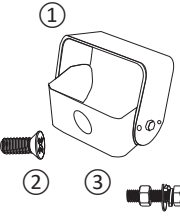
Standard Arm Mount

The design features an integral arm, increasing strength and simplifying installation.

EPA OF AREA LIGHT

ITEM							
	1	2 @90°	2 @120°	2@180°	3 @90°	3 @120°	4 @90°
100W/150W/200W	0.4418	0.7145	0.8813	0.8836	1.0548	1.0135	1.0548
250W/300W/350W	0.5614	0.8471	1.105	1.1228	1.294	1.2503	1.294

MOUNTING OPTIONS

Mounting Type	Accessory	Specifications	Ordering Code
 <p>Slipfitter Mount</p>	① Slipfitter	Adjustable Slipfitter	-SP
	② Twist-lock Photocell (Optional)	110-277V/480V Twist-lock Photocell	-ALPC
 <p>Arm Mount</p>	① Arm Mount	19.9 x 17.7 x 9cm Square pole mount arm	-AM
	② Bolt	# 1/2" x 1.97" Stainless Steel Hexagon Hexagon head bolt	
	③ Adaptor Drilling Plate	Arm Mount Drilling Plate(Dimensions on the Next Page)	
	④ Twist-lock Photocell (Optional)	110-277V/480V Twist-lock Photocell	-ALPC
	⑤ Occupancy Sensor(Optional)	120-277V 0-10V Bi-level	-ALMS
 <p>Wall mount</p>	① Pole Mout Arm	19.9 x 17.7 x 9cm Square pole mount arm	-AM
	② Bolt	KM4 x 10" Stainless Steel flat head bolt	
	③ Wall Mount Plate	20.3 x 15.2 x 0.5cm Steel Plate	-WM
	④ Wall Mount Template	20.3 x 15.2 x 0.1cm Aluminum alloy Wall Mount Plate Adapter	
	⑤ Bolt	# 1/2" x 1.46" Stainless Steel Hexagon head bolt	
	⑥ Twist-lock Photocell (Optional)	110-277V/480V Twist-lock Photocell	-ALPC
	⑦ Occupancy Sensor(Optional)	120-277V 0-10V Bi-level	-ALMS
 <p>Trunnion Mount</p>	① Trunnion Mount	19.05 x 15.24 x 15.24cm Trunnion Mount	-TM
	② Bolt	KM4 x 10" Stainless Steel flat head bolt	
	③ Bolt	# 1/2" x 1.46" Stainless Steel Hexagon head bolt	

IMAGES OF MOUNTING OPTIONS



SLIPFITTER MOUNT (-SP)



ARM MOUNT (-AM)



WALL MOUNT (-WM)



TRUNNION MOUNT (-TM)



**TRUNNION MOUNT (-TM)
(FOR 250W - 300W)**

DRILLING TEMPLATE FOR ARM MOUNT

