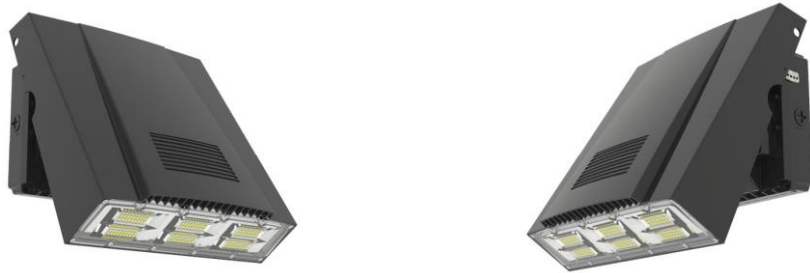


**WALL PACK LIGHT INSTALLATION INSTRUCTIONS**

LOD-AWP30W-XXK	LED WALL PACK LIGHT FIXTURE
LOD-AWP50W-XXK	LED WALL PACK LIGHT FIXTURE
LOD-AWP75W-XXK	LED WALL PACK LIGHT FIXTURE
LOD-AWP100W-XXK	LED WALL PACK LIGHT FIXTURE



**IMPORTANT**

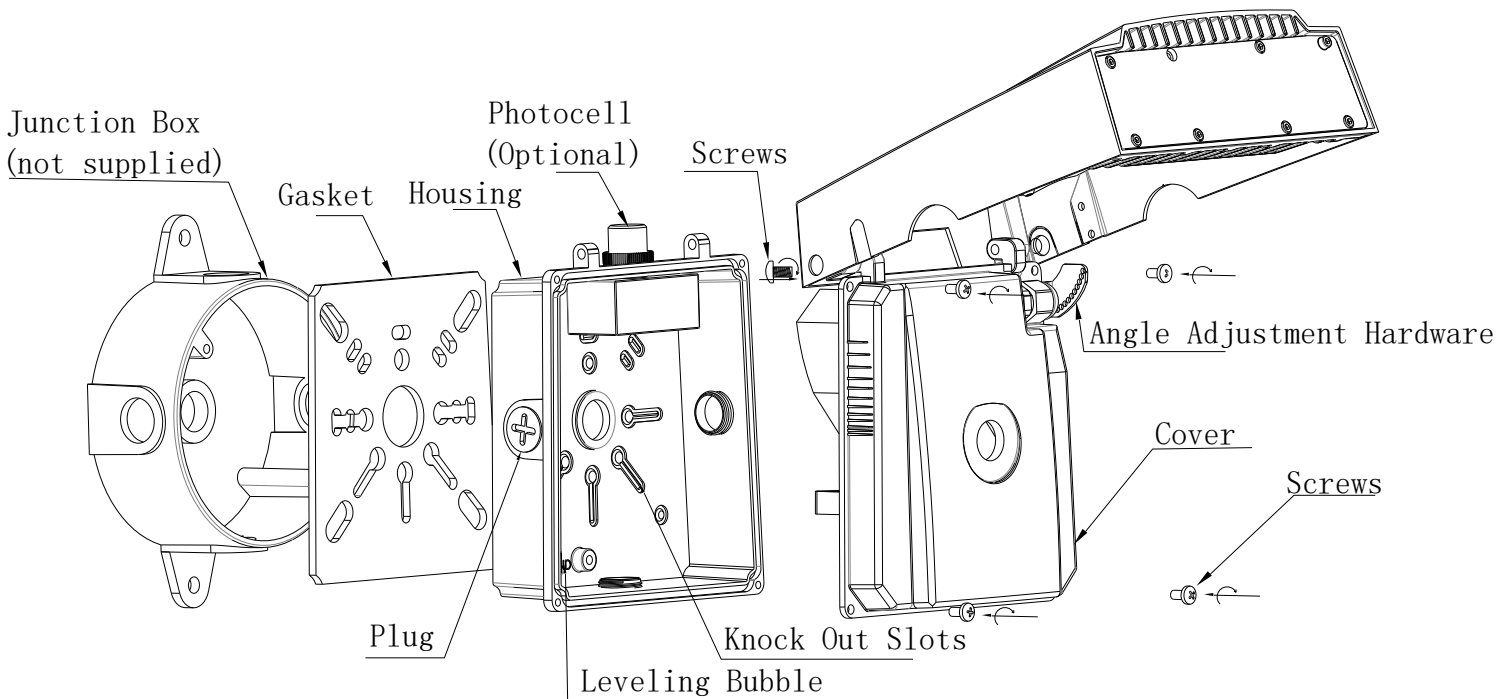
**READ CAREFULLY BEFORE INSTALLING FIXTURE. RETAIN THESE INSTRUCTIONS FOR FUTURE REFERENCE.**

Fixtures must be wired in accordance with the National Electrical Code and all applicable local codes. Proper grounding is required for safety. THIS PRODUCT MUST BE INSTALLED IN ACCORDANCE WITH THE APPLICABLE INSTALLATION CODE BY A PERSON FAMILIAR WITH THE CONSTRUCTION AND OPERATION OF THE PRODUCT AND THE HAZARDS INVOLVED.

**WARNING: Make certain power is OFF before installing or maintaining fixture. No user serviceable parts inside.**

**FIXTURE MOUNTING**

To ensure weatherproof seal, apply weatherproof silicone sealant around the edge of the Housing and/or Junction Box. This is especially important with an uneven wall surface. Silicone all plugs and unused conduit entries



1. Knock out appropriate slots. Secure Housing to a sturdy wall. Check the Gasket is fully sealed. (Fig 1)
2. Caulk the entire perimeter of the luminaire to the mounting surface.
3. Hang the light body on the bolt of the housing to make convenient for single electrical wire connection (Fig2)
4. Use appropriate holes. Screw and tighten the back cover with the housing. (Fig 3)
5. Adjust the fixture angle when necessary. (Fig 4)

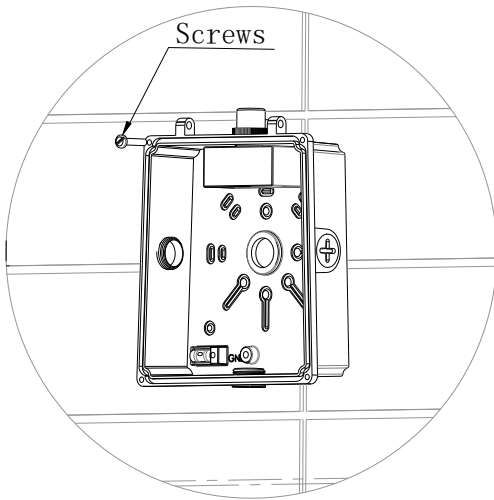


Fig. 1

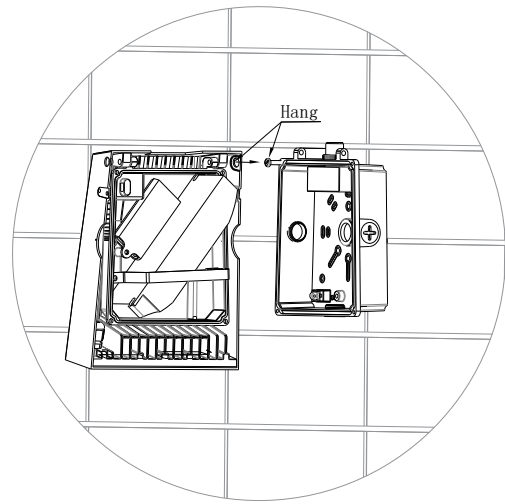


Fig.2

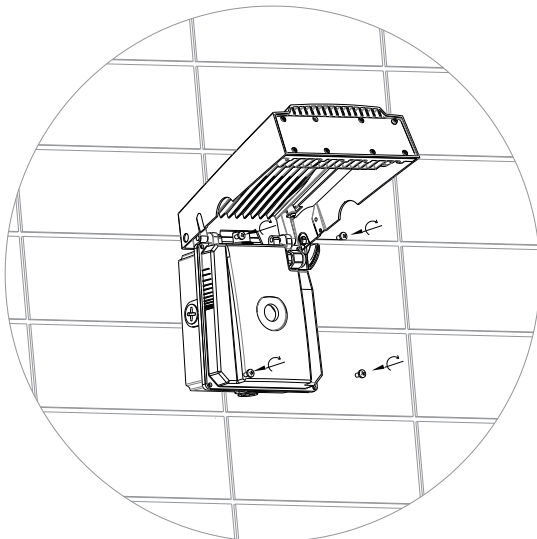


Fig. 3

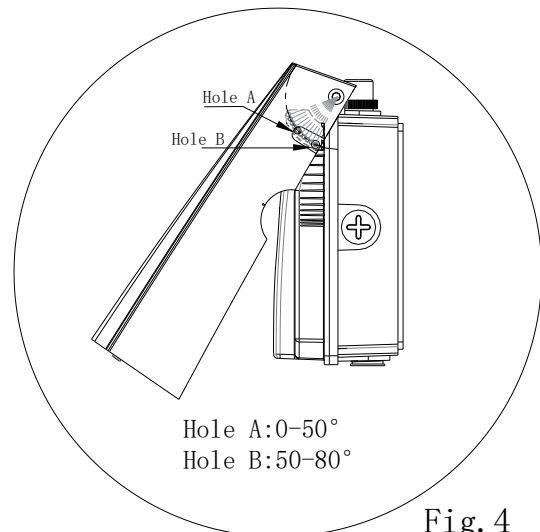
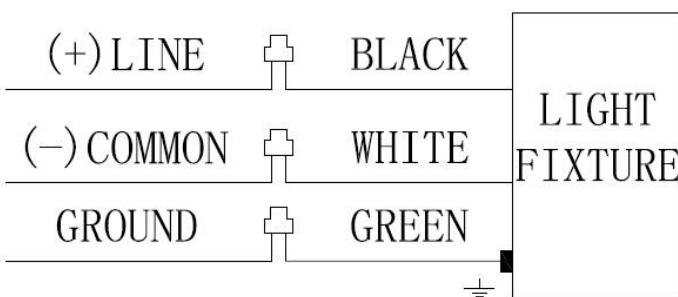


Fig. 4

## WIRING

Universal voltage driver permits operation at 120V to 277VAC, 50 or 60 Hz

1. Connect the black fixture lead to the (+) LINE supply lead.
2. Connect the white fixture lead to the (-) COMMON supply lead.
3. Connect the GROUND wire from fixture to supply ground.



(A) without photocell

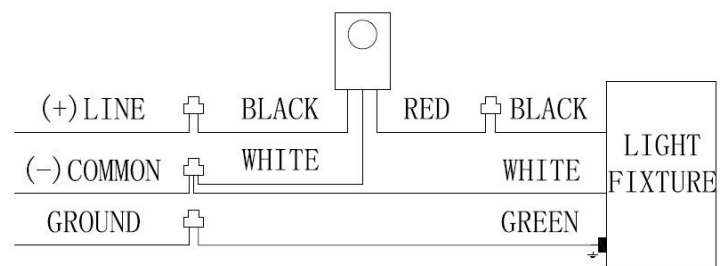
## CLEANING & MAINTENANCE

**CAUTION: Be sure fixture temperature is cool enough to Touch. Do not clean or maintain while fixture is Energized.**

1. Clean lens & fixture with non-abrasive glass cleaning solution.
2. Do not open fixture to clean the LED. Do not touch the LED.

## TROUBLESHOOTING

1. Check that the line voltage at fixture is correct. Refer to wiring directions.
2. Is the fixture grounded properly?



(B) With photocell

## 0-10V DIMMABLE WIRING

Universal voltage driver permits operation at 120V thru 277V, 50 or 60 Hz. For 0-10V Dimming, follow the wiring directions as (C).

1. Connect the black fixture lead to the (+) LINE supply lead.
  2. Connect the white fixture lead to the (-) COMMON supply lead.
  3. Connect the GROUND wire from fixture to supply ground.
- Do NOT connect the GROUND of the dimming fixture to the output.
4. Connect the purple fixture lead to the (V+) DIM lead.
  5. Connect the gray fixture lead to the (V-) DIM lead.
  6. Cap the yellow fixture lead, if present. Do NOT connect.

**Note: These instructions do not cover all details or variations in equipment nor do they provide for every possible situation during installation operation or maintenance.**

