

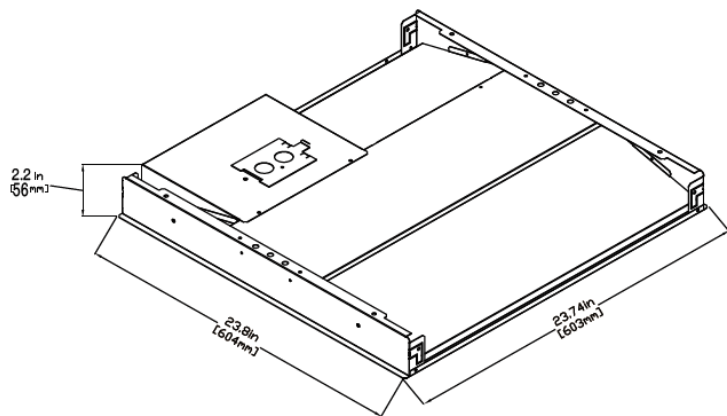
PRODUCT DESCRIPTION:

The multi wattage troffer provides maximum uniform light distribution without pixilation. The fixture has a full metal fixture inside the housing with a high impact diffuser. It is designed to upgrade fluorescent light fixtures. It is ideal for commercial and industrial uses. This luminaire was engineered as an energy efficient and eco-friendly alternative to traditional lighting solutions.

FEATURES:

- Samsung 2835 LED chips
- Multi wattage switch on back (19W, 24W & 29W)
- Dimmable
- High quality LED chips with 50,000 hours
- No flicker

DIMENSIONS:



LED 2x2 Multi Wattage Troffer Spec

LOD-22MWTR29W-40K



SPECIFICATIONS:

SPECIFICATION	Details		
Model	LOD-22MWTR29W-40K		
Input Wattage (W)	19W	24W	29W
Lumens Delivered (LM)	2,756LM	3,284LM	4,112LM
Efficacy (LM/W)	141.8LM/W		
CRI	80		
Lifespan	50,000 hours		
Color Temperature	4,000K		
Wattage Equivalent	70W		
Dimmable	Yes		
IP Rating	IP40		
Beam Angle	150		
Input Voltage	AC120-277V		
Power Factor	0.9		
THD	20%		
Housing	Aluminum		
Lens	Frosted		
Mounting	T-bar		
Weight (LBS)			
Size	23.8" x 23.74" x 2.2"		
Certification	DLC, UL		
Operating Temperature	-20°C-50°C		
Environment	Indoor		
Warranty	10 years limited		

