

## BEFORE YOU BEGIN

Read these instructions completely and carefully

### ⚠ WARNING

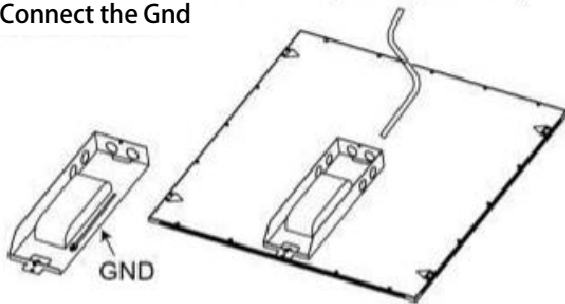
- Must be installed by a qualified electrician.
- Follow all local codes.
- Use only approved wire for input/output connections.
- Turn power off before inspection, installation or removal.
- Properly ground electrical enclosure.

## Unit installation

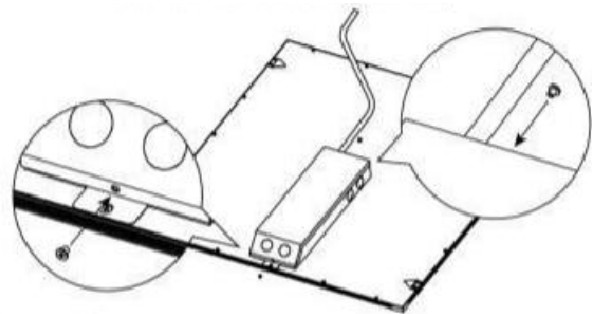
### Ceiling Frame Setup

#### STEP1 Turn Off Power Source, Open Driver Cap

- 1) AC Wire Connect to Driver L/N(L-Black,N-White)
- 2) Connect the Gnd



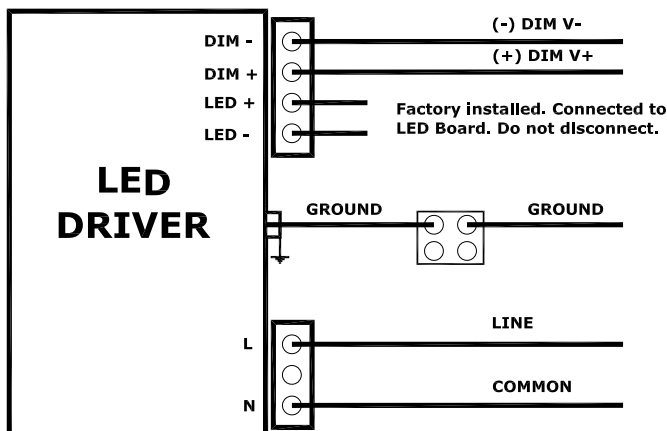
#### STEP2 Driver Cap Put on Driver Case Screw M3 Fixed The Driver Cap



#### STEP3 Panel Light with 45° into the Ceiling Frame



#### STEP4 Adjust panel Light to Fit the Ceiling Frame



- Thread the Power Supply Wires through the Hole and the Dimming Wires through the Hole in the Wire Cover .
- Connect the black fixture wire to the black (L) supply wire and connect the white fixture wire to the white supply wire (N) using wire nuts.
- Connect the Supply ground wire to the fixture ground wire using a wire nut .
- Connect the purple and grey wires from the dimmer to corresponding wires of the wall 0-10V dimmer .
- Reinstall the Wire Cover back to the Luminaire.
- Restore power at the circuit breaker box.