



# 50W LED Glass Wall Pack



### Features

- Lumileds LED, high luminous efficiency and long working life.
- High efficiency LED Driver, the wide range input voltage AC120-277V.
- Die Cast aluminium cooling design, high quality and better cooling for LED  $T_j < 85^{\circ}\text{C}$ .
- Excellent Optics design, greatly improve the light utilization and evenness.

### Product Applications

WISDOM LED Glass Wall Pack series can be widely used in indoor or outdoor lighting (Wet location), like mechanical or electronic processing workshops, storage warehouses, steel mills, gas stations, toll booth, waiting rooms, the platforms of railway station, indoor stadiums.



WISDOM OPTOELECTRONICS TECHNOLOGY CO., LIMITED  
 Add: FLOOR 8, BUILDING B1 SUNSHINE INDUSTRIAL PARK HEZHOU  
 XIXIANG BAOAN DISTRICT SHENZHEN, GUANGDONG, CHINA, 518126.

Tel: +86 755 2744 8585  
 +86 755 2744 8884  
 Fax: +86 755 2744 8089  
 Email: leo.zhu@wisdom-ssl.com  
 Website: www.wisdom-ssl.com

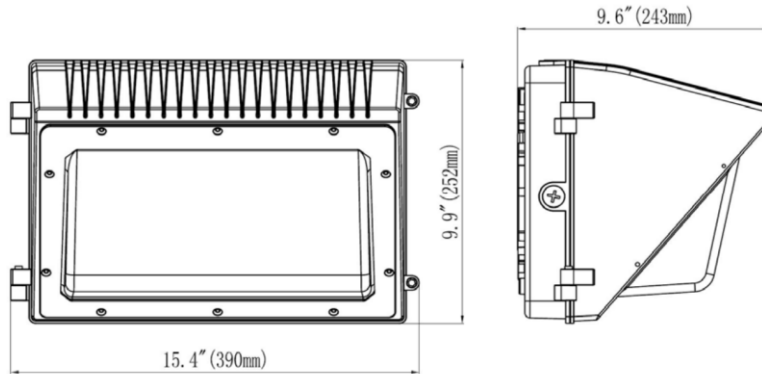


## Specifications

Unit : inch(mm)

### Structure Features

- Shell materials: Aluminum & Glass.
- Finish: Dark Bronze/White
- Net weight : 4.5Kg (9.92 lbs) Product
- Size:390mm\*252mm\*243mm
- Carton Size:450mm\*315mm\*310mm

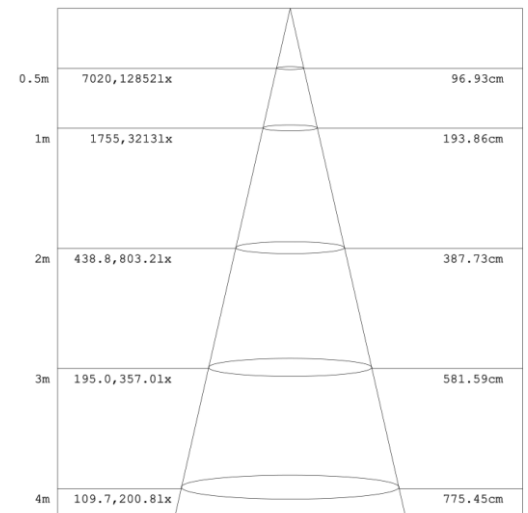
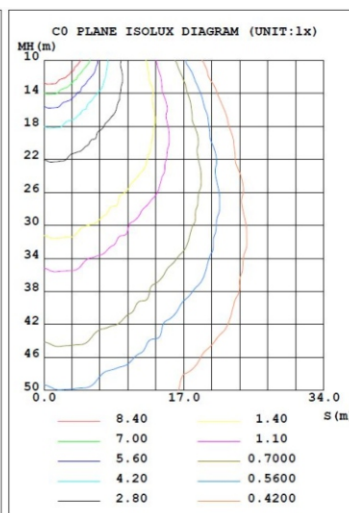
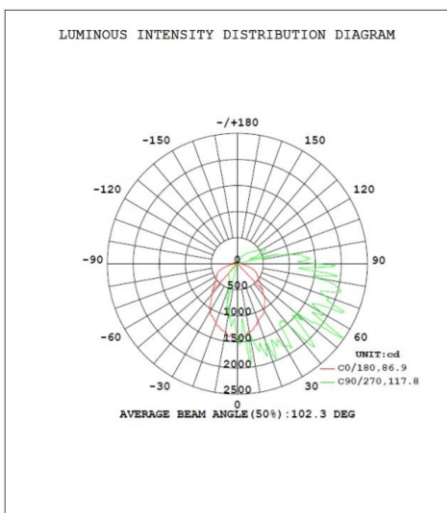


## Technical Parameters

### WSD-GWP05W27-XXK-Z[D,W,B]-P[Blank,P]

Power	50W	Lighting Angle	87°x118°
Input Voltage	AC120-277V	LED Brightness Decay	<5%/6000 hrs
PF	>0.95	Working Life	>50000 hrs
Driver Efficiency	>90%	Working Temperature	-30 - +45°C
Luminous Flux	6500 Lm	Storage Temperature	-40 - +80°C
Color Temperature	4000K/5000K	Protection Level	Wet Location/IP65
CRI	Ra>70	Cable	Input Connect, No cable

## Photometry



### Example:WSD-GWP05W27-XXK-Z[D,W,B]-P[Blank,P]

WSD	GWP	05W	27	XXK	Z	P
Company	Product	Power	Voltage	Color Temp	Finish	Control
WISDOM	GWP	05W(50W)	27	40K(4000K)	D (Dark Bronze)	P
	Glass Wall		AC120-277V	50K(5000K)±500K	W (White)	Photocell
	Pack				B (Black)	

WISDOM OPTOELECTRONICS TECHNOLOGY CO.,LIMITED

Add: FLOOR 8,BUILDING B1 SUNSHINE INDUSTRIAL PARK HEZHOU  
XIXIANG BAON DISTRICT SHENZHEN, GUANGDONG , CHINA, 518126.

Tel: +86 755 2744 8585  
+86 755 2744 8884

Fax: +86 755 2744 8089

Email: leo.zhu@wisdom-ssl.com

Website: www.wisdom-ssl.com