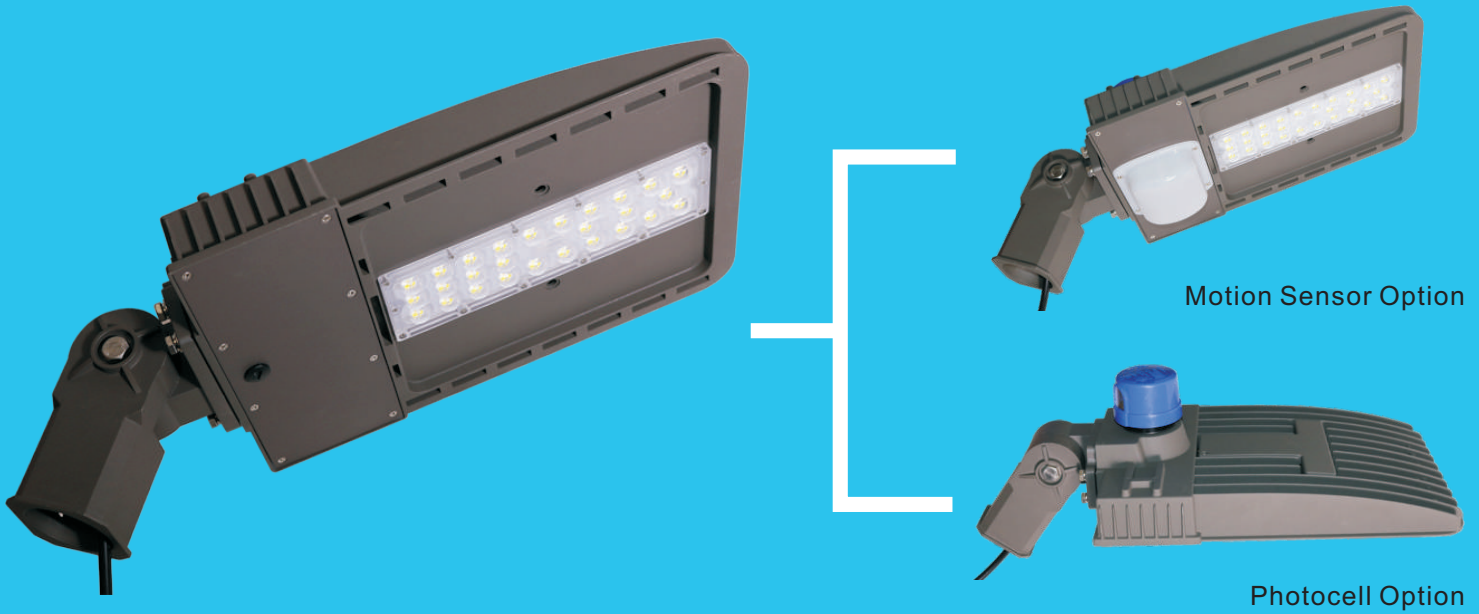


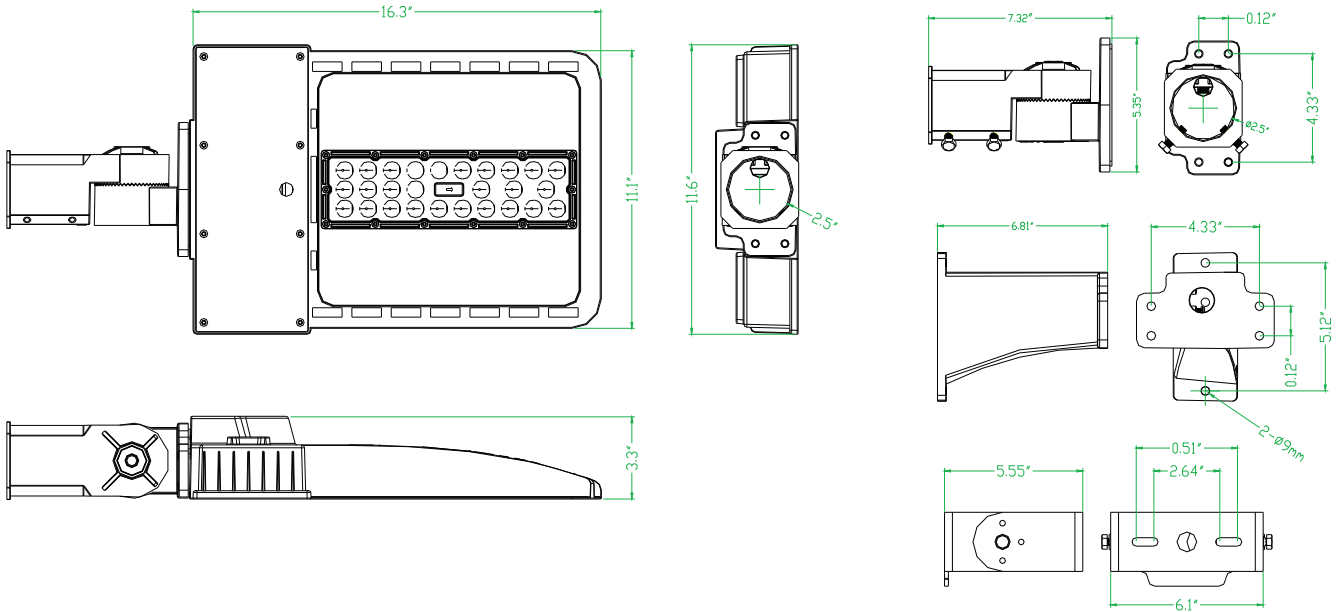
Shoe Box Family Tree



LED Shoe Box Light

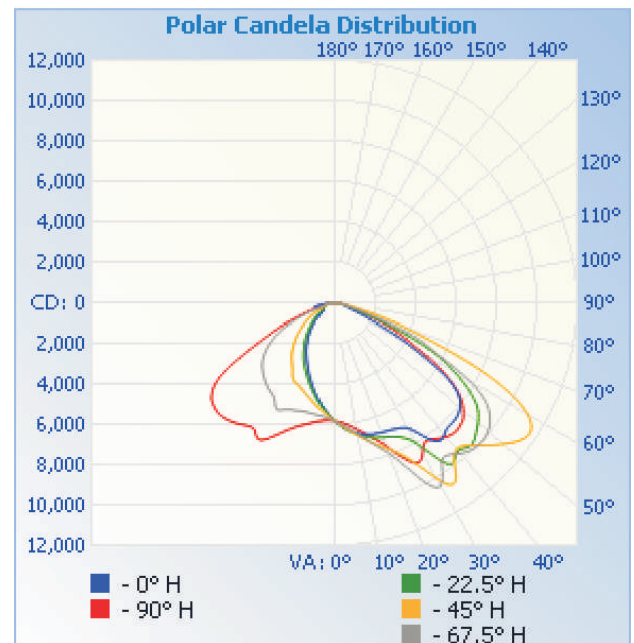
Technical Details and Photometric

Product Number	Power Consumption (W)	Dimensions (Inch)	Color Temperature (K)	System Luminous Flux(lm)	System Efficacy (Lm/W)
SB-80W A1XYZ	80	11.8"*12.6"*8.4"	3000K-6500K	10,400	130
SB-100W A1XYZ	100	11.8"*12.6"*8.4"	3000K-6500K	13,000	130



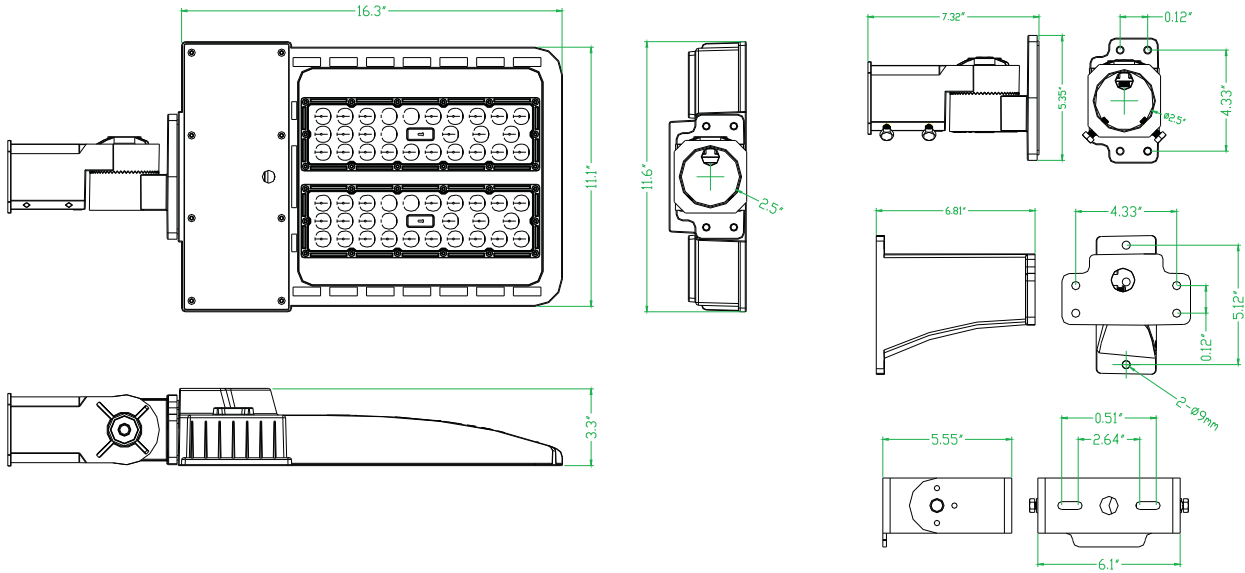
Photometric Data

Rated Power	80/100W
Input Voltage	100-277/200-480VAC
Frequency	50 / 60 Hz
Power Factor	>0.9
Beam Angle	120°
CRI	≥ 80
Dimming Function	0 - 10 V
Operating Temperature	-30°C to 45°C
Beam Angle	Type III



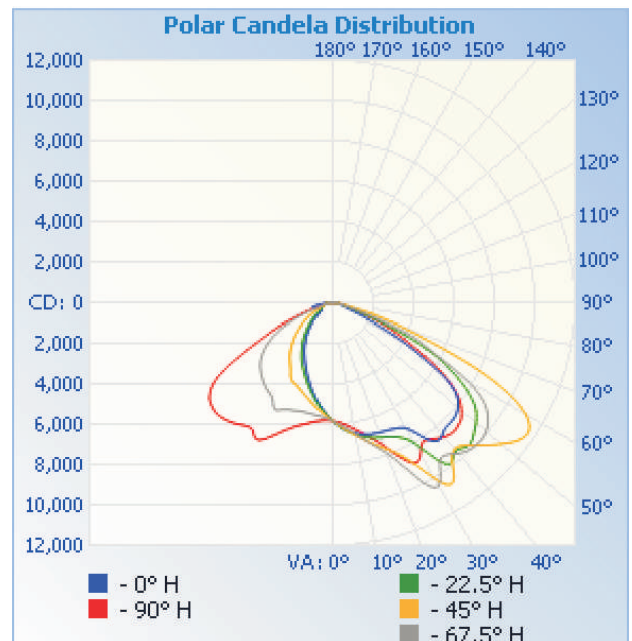
Product Number	Power Consumption (W)	Dimensions (Inch)	Color Temperature (K)	System Luminous Flux(lm)	System Efficacy (Lm/W)
SB-150W A2XYZ	150	23.9"*12.6"*8.4"	3000K-6500K	19,500	130
SB-200W A2XYZ	200	23.9"*12.6"*8.4"	3000K-6500K	26,000	130

Dimensions



Photometric Data

Rated Power	150/200W
Input Voltage	100-277/200-480VAC
Frequency	50 / 60 Hz
Power Factor	>0.9
Beam Angle	120°
CRI	≥ 80
Dimming Function	0 - 10 V
Operating Temperature	-30°C to 45°C
Beam Angle	Type III

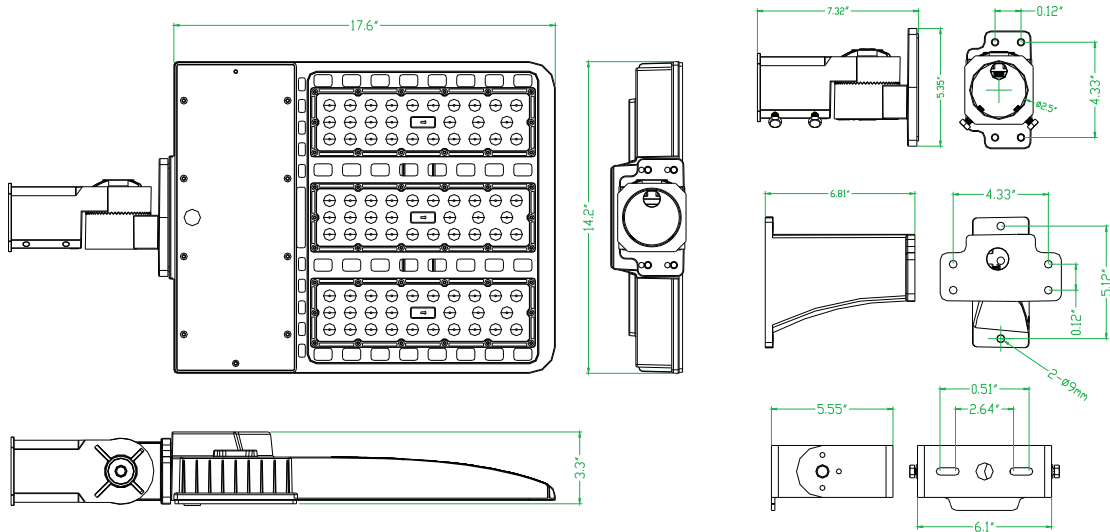


LED Shoe Box Light

Technical Details and Photometric

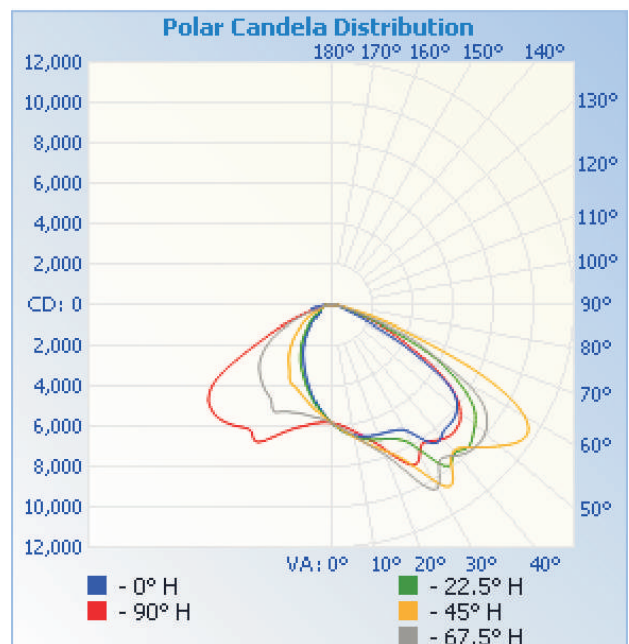
Product Number	Power Consumption (W)	Dimensions (Inch)	Color Temperature (K)	System Luminous Flux(lm)	System Efficacy (Lm/W)
SB-300W A3XYZ	300	29.4"*12.6"*8.6"	3000K-6500K	39,000	130

Dimensions



Photometric Data

Rated Power	300W
Input Voltage	100-277/200-480VAC
Frequency	50 / 60 Hz
Power Factor	>0.9
Beam Angle	120°
CRI	≥ 80
Dimming Function	0 - 10 V
Operating Temperature	-30°C to 45°C
Beam Angle	Type III



Applications

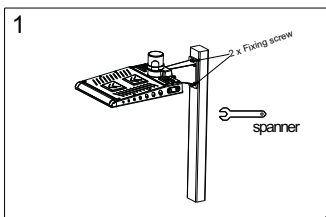


Ordering Guide

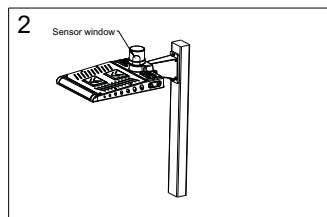
SB	80/100/120/150/200/300W	AiXYZ
Shoe Box light	Wattage	i=1,2,3 modules X=N,D(Non-dim or Dim) Y=27,30...65(CCT) Z=T3(Type III beam angle)

Mounting Option

Arm Mounted

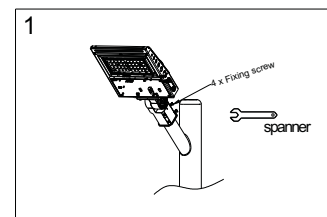


1. Tighten 2 x Fixing screw by spanner, ensure to add star washer avoid the screw will loose.

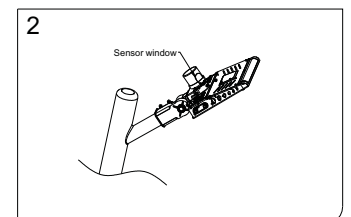


2. Turn on the power to test shoe box light, however you need to cover the sensor window if there is sunshine.

Slip Mount

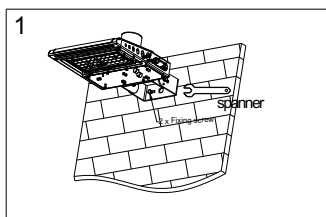


1. Tighten 2 x Fixing screw by spanner, ensure to add star washer avoid the screw will loose.

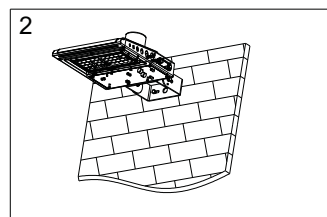


2. Turn on the power to test shoe box light, however you need to cover the sensor window if there is sunshine.

Trunnion Mounted



1. Tighten 2 x Fixing screw by spanner, ensure to add star washer avoid the screw will loose.



2. Turn on the power to test shoe box light, however you need to cover the sensor window if there is sunshine.



- **Garden Park**
- **Street and Roadway**
- **Park**
- **Veranda**
- **Gas Station Road**
- **Sports Court Lighting**
- **Outdoor Packing Lot Areal**

Lumen Output up to 140 lumens per watt

CRI more than 80

Dimmable driver

Input voltage is AC100-277/200-480V

Reduces energy consumption up to 60%.

5 years warranty

Surface mounting installation

Suitable for wet location(IP65)

UL, cUL

Special outdoor luminaire design

Photocell sensor, motion sensor option

Excellent Design

Our Compact Model LED Parking Lot Light uses new Phillips Luxeon LED modules that produce up to 130 Lumens per watt - Save even more by using a lower watt unit and still getting the light you need. Focus on your lumen needs, not on watts. This LED area light only uses Premium grade LED components. High strength housing make this an industrial grade LED Parking lot or Shoe Box light.

Brighter Light

250 Watt LED puts out 32,500 Lumens and can replace a 1,000 watt Metal halide MH or HPS/HID light. 5000K light color ensures a bright clear light. Light can be used as Parking Lot Lights, Sports Court Lights, Street Lights, walkways, roadways or any other use.

Photocell Included and Easy Adjustable Mount

Unit also has photocell for dusk to dawn usage. Can be removed if not needed. Unit comes with an adjustable slip mount designed to fit on standard circular poles. Inner diameter is 2 3/8 inches, so pole can be 2 - 2.4inches. With slip mount the LED Parking Lot light can be angled up or down depending on if you are mounting vertical or horizontal. The most versatile mount option. Arm mount and Trunnion mount options can match more locations.

IES Classification

The Type III distribution is ideal for roadway, general parking and other area lighting applications where a larger pool of lighting is required. It has greater street side (transverse) throw, allowing the light to project outward and fill the area.

