

## LINEAR T8 8FT TUBE ETH SERIES

### Product Description

Etherium's LED Linear T8 8ft lamps is a reliable choice for retrofitting traditional T8 or T12 fluorescent system, maximizes energy saving with high efficacy performance. Our triple play technology is compatible with or without the ballast and both single and double ended power to fit shunted or un-shunted sockets.



FEATURES
R17D / FA8
40W
4000K / 5000K
DLC, ETL TYPE B
Single or Double Ended
PC + Aluminum
Efficacy up to 130LPW
Operating Temperature -20°C to 40°C

### Construction & Installation

ETH 8ft T8 lamps is composed of a shatter resistant polycarbonate lens backed by a high gauge aluminum housing. Our internal drivers are compatible with most ballasts or can be direct wired, by-passing the ballast. Works with shunted or non-shunted sockets for easy installation.

### Electrical & Operations

T8 lamp is universal voltage (120-277V) Capable of step dimming with certain ballasts. Can operate in temperatures -20°C to 40°C. LED Lamp utilizes top of the line high-efficacy LED packages that maintain maximum light output and heat dissipation to save money while extending the lifespan.

### Applications

A wide variety of utility applications including retail shops, schools, hospitals, offices buildings and various commercial applications.

### Certification

ETL Listed. All components have ETL certification. DLC premium. RoHS listed.

### Warranty

5 year warranty with a 50,000 hour rated L70. See warranty documentation for more detail information



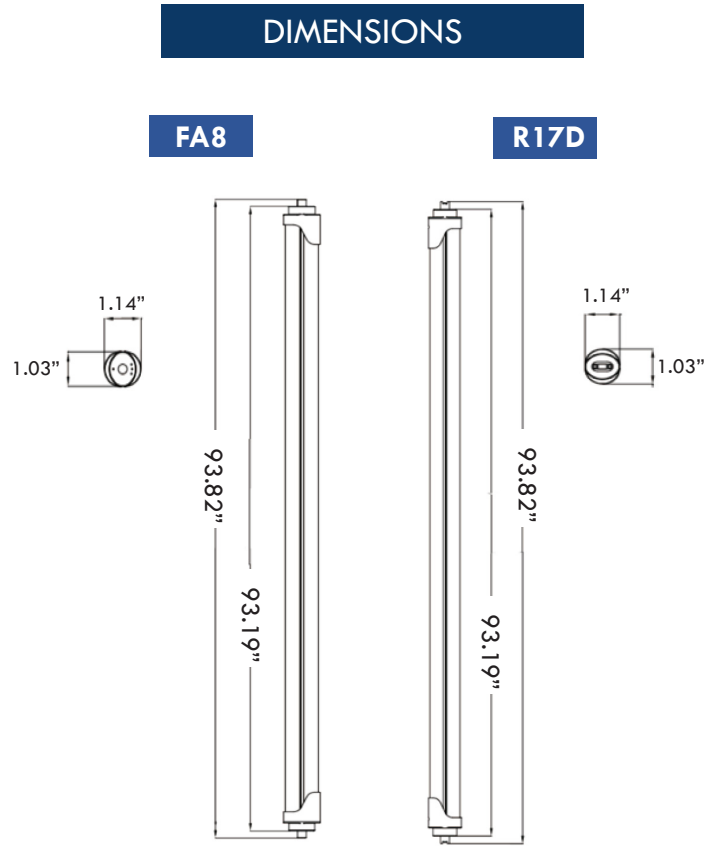
## ORDERING INFORMATION

Example: ETH-T8-8FBB 5000K

Nomenclature	Tube Diameter	Form Factor	Socket	Color Temp
ETH	T8	8F	BB	5000K
ETH = Etherium	T8 = 1"	8F = 8FT	BA = FA8 End Cap BB = R17 D End Cap	4000K = 4000K 5000K = 5000K

\*\*\*Specifications and Dimensions subject to change without notice\*\*\*

SPECIFICATION	
PERFORMANCE SUMMARY	
Input Voltage	120-277V
Input Frequency	50/60 Hz
Wattage	See Performance table
Lumens	See Performance Table
Efficacy	>130LPW
CRI	80+
CCT	4000K / 5000K
Beam Angle	120 Degree
Rated Life	50,000 Hr
L70	>50,000 Hr
Power Factor	>0.9
THD	<15%
ETL	Type B
Operating Temp.	-20°C to 40°C



CARTON DIMENSIONS AND WEIGHT			
Model	Carton	Weight	PCS/BOX
8ft	97" x 9" x 4"	26 LBS	10pcs

PERFORMANCE DETAILS				4000K		5000K	
Form Factor	Catalog No.	Rated Wattage	Tested Wattage	Total Lumens	Efficacy LPW	Total Lumens	Efficacy LPW
8ft	ETH-T8-8FBA	40W	40W	5200 lm	130	5240 lm	131
8ft	ETH-T8-4FBB	40W	40W	5200 lm	130	5240 lm	131

\*\*\*Specifications and Dimensions subject to change without notice\*\*\*