

LEDone®

Installation and Instruction Manual LED CORN LAMPS

Please read the instructions carefully and observe installation details.

APPLICATIONS AREAS

To be installed in new interior or exterior street lights, wall lights, flood lights, stage lights, highway and motorway street lights, stadium lights, car park lights.

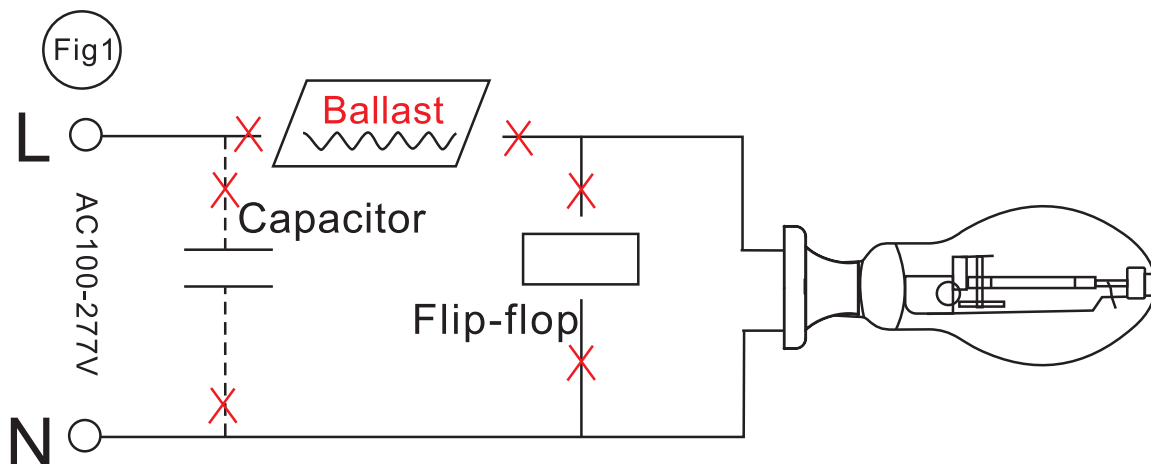
REPLACEMENTS:

High Pressure Sodium, Metal Halide lamp, Pulse Start Metal Halide, and Compact Fluorescent (HID, HPS, MHL, HQL)

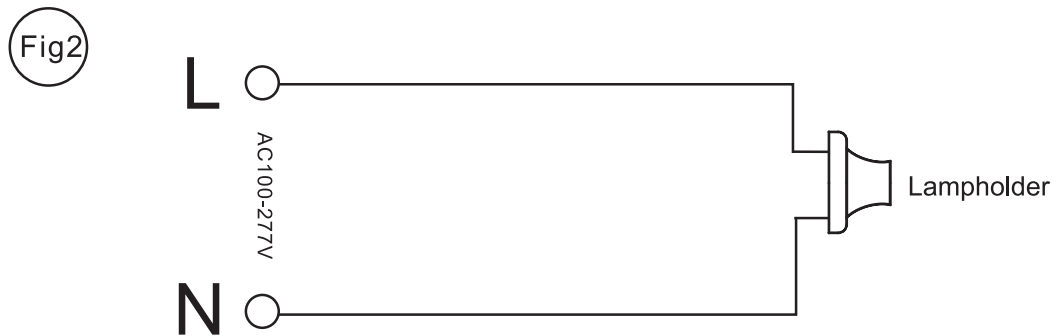
WARNING

1. Operating degree: $-29 - 60^{\circ}\text{C}$ ($-20 - 140^{\circ}\text{F}$) celsius degree
Storage degree: $-20 - 40^{\circ}\text{C}$ ($-4 - 104^{\circ}\text{F}$) celsius degree .
2. This fitting must be installed by competent approved electrical engineers.
3. Please install the fitting as per detailed instructions. Do not amend or make any alterations to this structure or add/remove any components
4. Please ensure the electrical circuit you are working on is disconnected and securely locked off at its source. Test and make sure the supply is dead and safe to work on.
5. Under no circumstances must this fitting be dimmable controlled.
6. For above 60w installation, need use safety cable for fasten the lamp in case fall down.
7. Do not take apart the lamps without permit.
8. Do not stare at the strong light for a long time as it may cause injury to eyes.

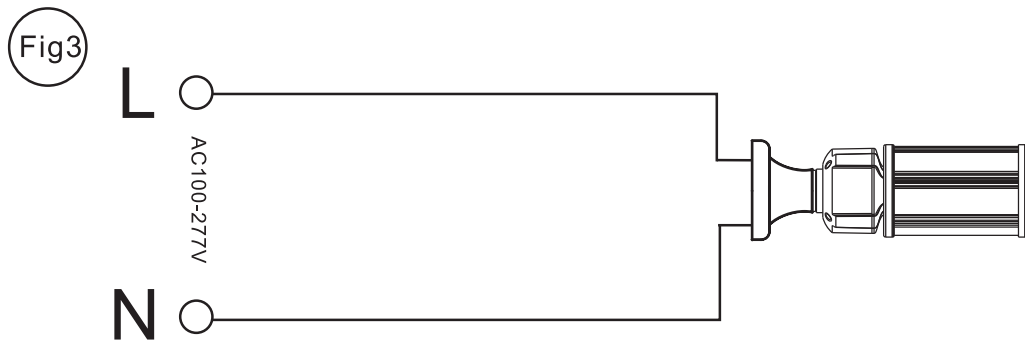
1. Remove old ballast or disconnect from existing lamp holder. Remove and dispose of ballast in correct manner. Shown as Figure 1.
(North America 100-277VAC)



2. Reconnect directly to the existing lamp holder. Shown as Figure 2
(North America 100-277VAC)



3. Install new LED replacement lamp. Shown as Figure 3. Please make sure the old fitting is correctly earth. (North America 100-277VAC)



Securely fasten the earth fly lead cable to the main body structure. If the cable are damaged in any way please replace. (Do not use existing burnt out cables) The cable if need replacement must be 1.0mm in size and insulated from heat.

WARRANTY

There is a warranty label on each lamp, we will supply warranty based on this period. If you have any inquiries, please do not hesitate to contact us or our engineers if you do not understand these instruction.