

LED Wrap Light



Suitable Locations

- Supermarkets
- Offices
- Hospitals
- Cinema
- Schools
- Gyms
- Retail

Advantage

Lumen Output more than 120 lumens per watt

CRI more than 80

Dimmable driver

Input voltage can be AC100-277V

Reduces energy consumption up to 60%

5 years warranty

Surface mounting installation

Suitable for damp location

UL and DLC

Glass-free

Applications

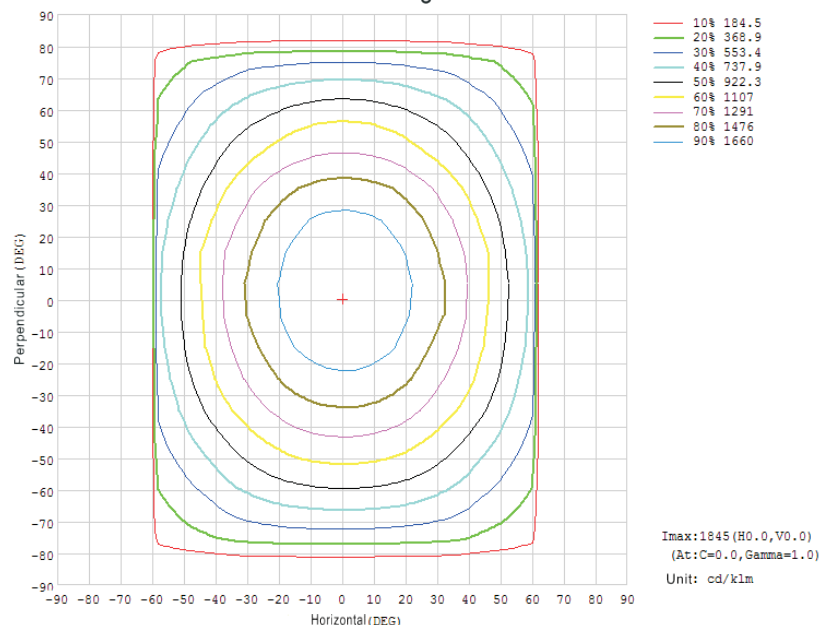
LED Wrap Light with is the perfect solution for commercial lighting needs in garages, warehouses, gyms, manufacturing space, and large retail spaces. With an enclosed power Supply and covered optics, these light fixtures are designed for durability in commercial or industrial applications. They are designed to save energy and lower maintenance costs. The LED light engine inside this fixture uses 30% less power to produce the same amount of light as a fluorescent fixture. This is a low maintenance solution that eliminates the need to replace power supplies and light bulbs because the light source is integrated in the fixture. Because it's LED, you will never hear the hum that fluorescent fixtures make. LED Linear High Bay commercial fixtures are built with LED chips that last for 50,000 hours of continuous use. Fixtures are UL listed and IC rated for contact with insulation and can be installed in damp locations, and they come with a 5 year warranty. These high bays are UL rated for damp locations. They are DLC listed to qualify for commercial lighting rebates and special incentives in certain areas.

Product Number	Power Consumption (W)	Dimensions L*W*H(Inch)	Color Temperature (K)	System Luminous Flux(lm)
ZY-STP4FT42	42	48"x7"x2.7"	3000K-5700K	5,040
ZY-STP4FT36	36	48"x7"x2.7"	3000K-5700K	4,320
ZY-STP4FT30	30	48"x7"x2.7"	3000K-5700K	3,600
ZY-STP4FT28	28	48"x7"x2.7"	3000K-5700K	3,360
ZY-STP4FT26	26	48"x7"x2.7"	3000K-5700K	3,120
ZY-STP4FT24	24	48"x7"x2.7"	3000K-5700K	2,880
ZY-STP4FT22	22	48"x7"x2.7"	3000K-5700K	2,640
ZY-STP4FT20	20	48"x7"x2.7"	3000K-5700K	2,400

Photometric Data

Rated Power	20/22/24/26/28/30/36/42W
Input Voltage	100 - 277VAC
Frequency	50 / 60 Hz
Power Factor	> 0.9
Beam Angle	110°
CRI	≥ 80
Dimming Function	0 - 10 V
Operating Temperature	30°C to 45°C

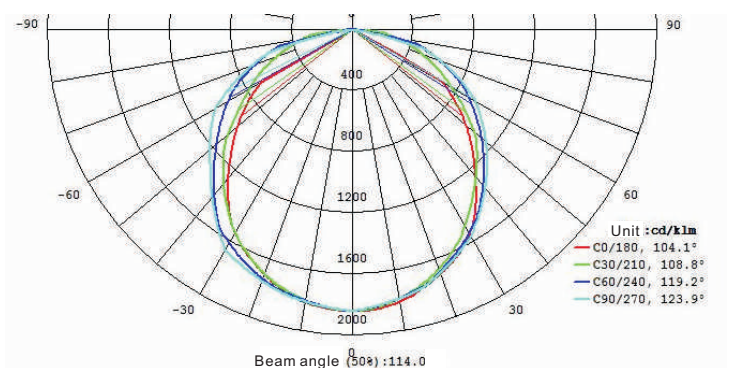
Isocandela diagram



42W illuminance plots

Illuminance at a Distance			
	Center Beam fc	Beam Width	
17.0ft	15.45 fc	40.5 ft	40.1 ft
34.0ft	3.86 fc	80.9 ft	80.2 ft
51.0ft	1.72 fc	121.4 ft	120.4 ft
68.0ft	0.97 fc	161.8 ft	160.5 ft
85.0ft	0.62 fc	202.3 ft	200.6 ft
102.0ft	0.43 fc	242.7 ft	240.7 ft

■ Vert. Spread: 99.9°
■ Horiz. Spread: 99.4°



Ordering Guide

ZY	STP	4FT	20/22/24/26/28/30/36/42
Company Code	Product Type	Length	Wattage

Mounting Option

- A- Keyhole Slots for Surface Mounting
- B- Wiring pendants mounting

