

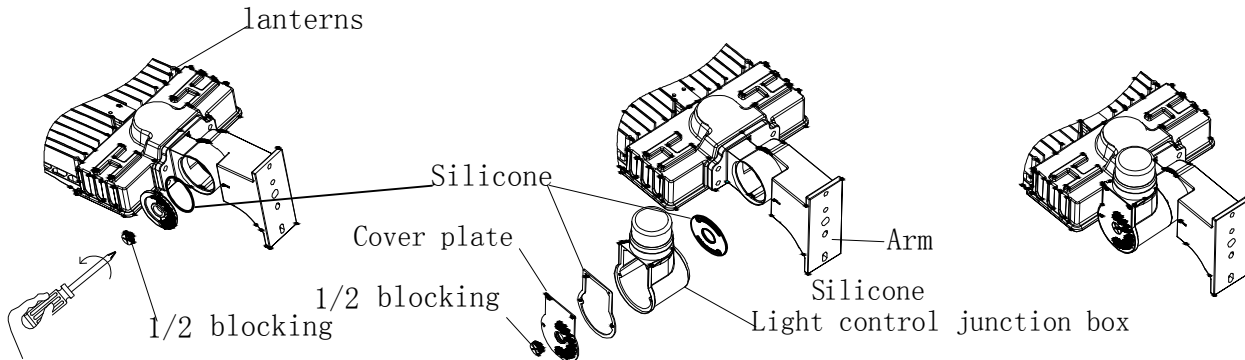
Description of optical control accessories

Install

Step 1

Step 2

Step 3



1. Remove the round cap on the luminaire and unscrew the 1/2 screw.

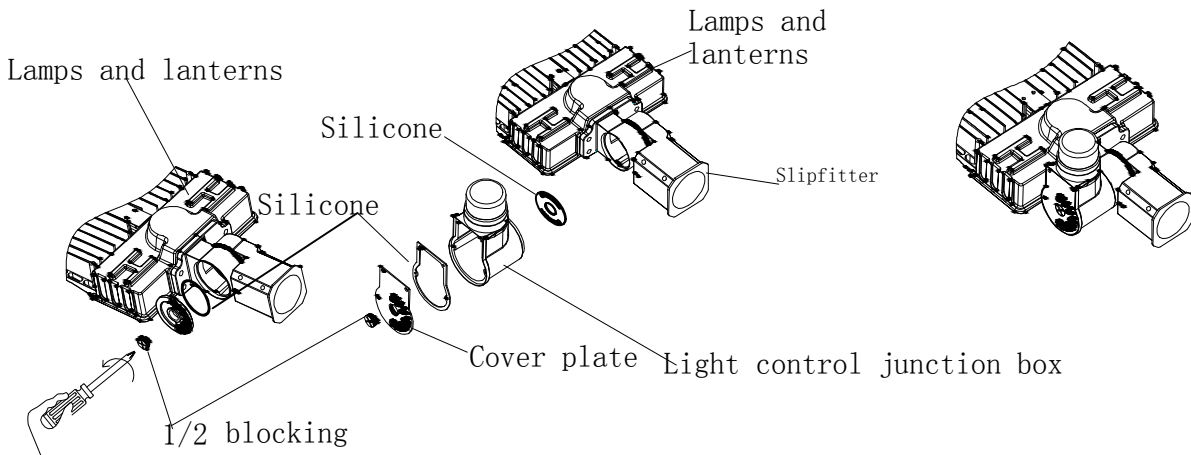
3. The lamp control terminal box is assembled according to the disassembly chart and is correctly connected with the AC power supply line. (as shown)

2. Remove the components of the light control junction box and install the light control junction box on the lamp (ARM installation mode).

Step 1

Step 2

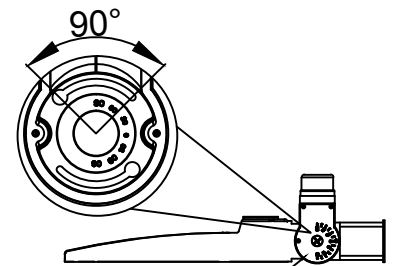
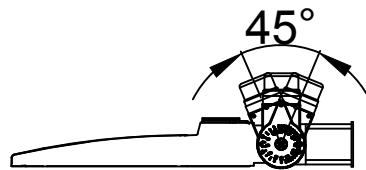
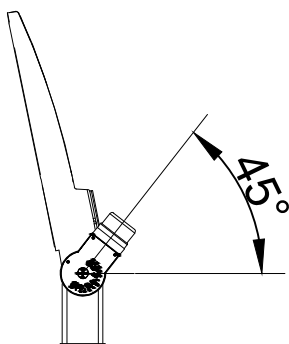
Step 3



1. Remove the round cap on the luminaire and unscrew the 1/2 screw.

3. The lamp control terminal box is assembled according to the disassembly chart and is correctly connected with the AC power supply line. (as shown)

2. Remove the components of the light-controlled junction box and install the light-controlled junction box on the lamp (equipped with SLIPFITER installation mode).



The light source controls the vertical ground or inclines 25 degrees to the ground.

ground

5 PIN Photocell Mount

