

# LEDPNL2X4-35W

Premium Performance 35 Watt 2x4  
Ultra-Thin Edge-Lit LED Panel



Project:	
Type:	
Catalog #:	

## STANDARD



The premium-performance, ultra-thin, edge-lit LED panel (LEDPNL) series offers industry-leading lumens per watt (LPW), and is *DLC Premium* listed. The LEDPNL is designed to deliver general ambient lighting in a variety of indoor settings, including schools, offices, hospitals and stores, and is the perfect choice for both new construction and retrofits. This high-efficacy luminaire provides long-life and uniform illumination, as well as standard 0-10 vdc dimming capability.

## FEATURES

- Available in 3000k (warm white), 3500k (warm/neutral white), 4000k (neutral white) and 5000k (cool white) color temperatures.\*
- Long-life LEDs provide 81,000 hours of operation with at least 70% of initial lumen output ( $L_{70}$ ).\*\*
- Provides 4,516 luminaire lumens (125 lumens per watt, LPW) at 3000k; 4,540 luminaire lumens (126 LPW) at 3500k; 4,589 luminaire lumens (127 LPW) at 4000k, and 4,637 luminaire lumens (129 LPW) at 5000k.\*
- Uniform illumination with no visible LED pixilation.
- Universal 120-277 AC voltage (50-60Hz) is standard.
- 0-10vdc dimming capability is standard.
- Power factor > 0.90.
- Total harmonic distortion < 20%.
- Color rendering index > 80.
- Aluminum housing.
- PMMA (polymethyl methacrylate) light guide panels for optimal light distribution, efficiency and longevity.
- Easy installation in new construction or retrofit.
- Standard earthquake clips provide secure installation in grid ceilings.
- Standard mounting options include recessed mounting in grid ceilings, or suspended mounting using attached hanging brackets. Optional surface mounting requires a surface mounting kit (option SMK).

\* Contact factory for other color temperatures and lumen packages.

\*\*  $L_{70}$  hours are IES TM-21-11 calculated hours.



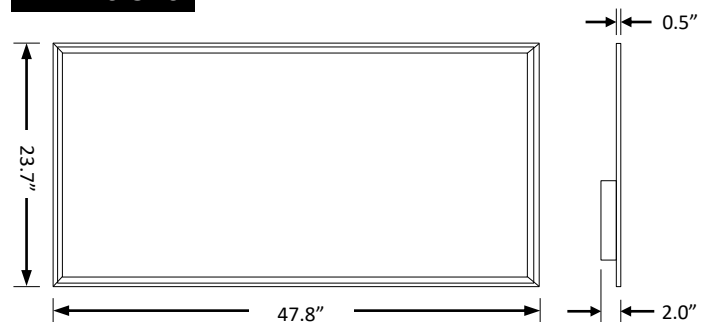
## WARRANTY & LISTINGS

- UL listed for damp locations and insulated ceilings (IC-rated) for use in ambient temperatures from -25°C to 50°C (-13°F to 122°F).
- DLC Premium listed.
- Complies with RoHS (Restriction on Hazardous Substances) requirements.
- Complies with FCC Part 15, part B.
- Complies with IEEE C.62.41, input transient protection (2kV).
- 5-year warranty of all electronics and housing.

## MOUNTING KITS See below for details

- Optional surface & flange mounting kits provide for installation on plaster or other hard ceilings.
- Optional cable mounting kits provide additional security, as well as as suspended mounting.

## DIMENSIONS



Weight: 13.6 lbs.

## ORDERING INFORMATION

Example: LEDPNL24-35W-3KMV-PRM-BES-SMK24 + LEDPNL-EMBRKT

Model	Luminaire Watts	Luminaire Lumens	Lumens/Watt	Color Temperature	Input Voltage	DLC Listing	Options (See below for details)
LEDPNL2X4-35W	36	4,516	125	3K = 3000k	MV = Multi-volt (120-277V)	PRM-BES = DLC Premium	SMK24 = Surface Mounting Kit (2x4)
		4,540	126	35K = 3500K			FLANGEKIT24-ET = Flange Mounting Kit (2x4)
		4,589	127	4K = 4000k			LEDPNL-CMK = Cable Mounting Kit, Quantity 6, 1 meter long, 1/16" diameter, with spring clips & adjustable, locking ceiling attachment
		4,637	129	5K = 5000k			LEDPNL-EMBRKT = Bracket for emergency battery backup unit

# LEDPNL2X4-35W

Premium Performance 35 Watt 2x4  
Ultra-Thin Edge-Lit LED Panel



## ELECTRICAL DATA

Model	Color Temp.	CRI <sup>1</sup>	Luminaire Lumens	Luminaire Watts	Lumens Per Watt	Input Voltage	Input Current (A)			Power Factor	THD <sup>2</sup>	L <sub>70</sub> Hours <sup>3</sup>
							120V	240V	277V			
LEDPNL2X4-35W-3KMV-PRM-BES	3000k	> 80	4,516	36	125	120-277	0.30	0.15	0.13	> 90%	< 20%	81,000
LEDPNL2X4-35W-35KMV-PRM-BES	3500k	> 80	4,540	36	126	120-277	0.30	0.15	0.13	> 90%	< 20%	81,000
LEDPNL2X4-35W-4KMV-PRM-BES	4000k	> 80	4,589	36	127	120-277	0.30	0.15	0.13	> 90%	< 20%	81,000
LEDPNL2X4-35W-5KMV-PRM-BES	5000k	> 80	4,637	36	129	120-277	0.30	0.15	0.13	> 90%	< 20%	81,000

<sup>1</sup> Color rendering index.

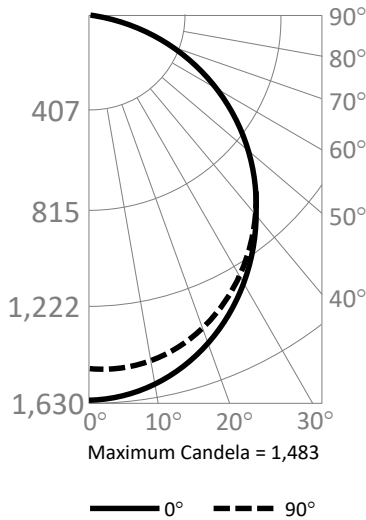
<sup>2</sup> All 50-60Hz.

<sup>3</sup> Total harmonic distortion.

<sup>4</sup> L<sub>70</sub> refers to the number of hours at which lumen output declines to 70% of the initial level. L<sub>70</sub> hours are IES TM-21-11 calculated hours.

## PHOTOMETRIC DATA

### LEDPNL24-35W-5KMV-PRM-BES (4,637 Lumens)



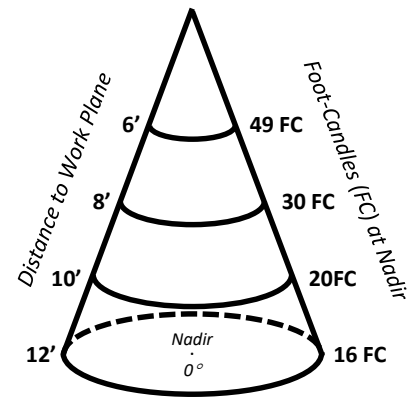
#### Candlepower Summary

	0°	90°
0°	1,569	1,569
10°	1,472	1,620
20°	1,400	1,551
30°	1,270	1,423
40°	1,099	1,252
50°	879	1,035
60°	637	795
70°	361	522
80°	116	251
90°	0	34

#### Zonal Lumen Summary

Zone	Lumens	% Fixture
0° – 10°	149	3.2%
0° – 20°	578	12.5%
0° – 30°	1,229	26.5%
0° – 40°	2,015	43.5%
0° – 50°	2,831	61.1%
0° – 60°	3,566	76.9%
0° – 70°	4,121	88.9%
0° – 80°	4,430	95.5%
0° – 90°	4,513	97.3%
90° – 180°	124	2.7%
0° – 180°	4,637	100.0%

#### Cone of Light



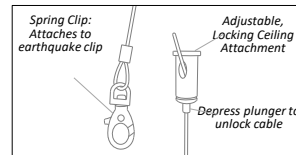
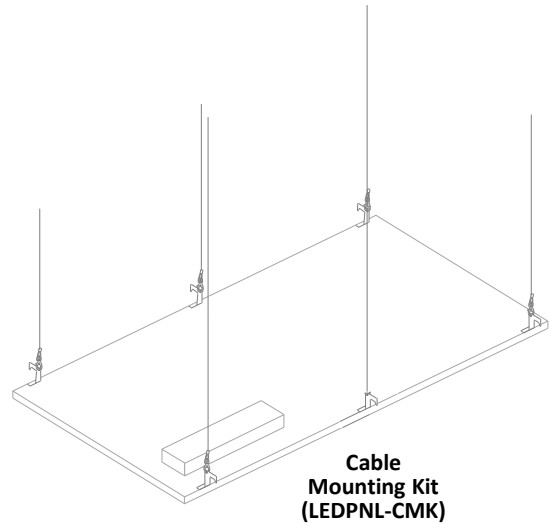
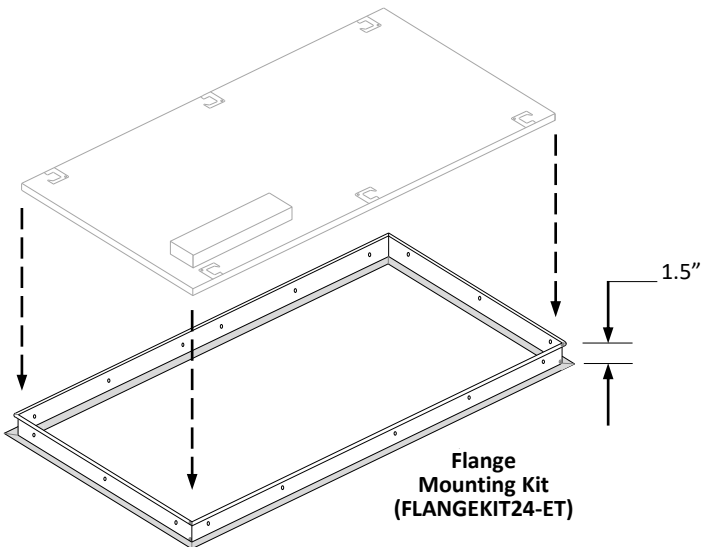
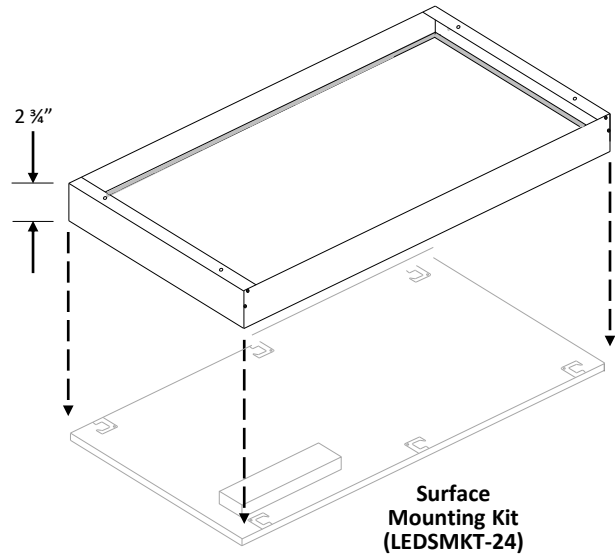
# LEDPNL2X4-35W

Premium Performance 35 Watt 2x4  
Ultra-Thin Edge-Lit LED Panel



## OPTIONS

- Optional surface mounting kits (SMK24) mounts below the ceiling.
- Optional flange mounting kits provide for recessed installation on plaster or other hard ceilings. Attach Flange Mount Kit (FLANGEKIT24-ET) to ceiling joists or other stationary structures, and the panel is mounted flush to the ceiling.
- Optional cable mounting kits provide additional security, as well as suspended mounting. Attach one end of the Cable Mount Kit (LEDPNL-CMK) to luminaire earthquake clips using spring clips, and attach the other end to stationary structures using the adjustable, locking ceiling attachment (see picture below right).
- Optional bracket for emergency battery backup unit (LEDPNL-EMBRKT) provides structural support to prevent panels from bending the battery backups are installed.



### Cable Mount Kit:

- Spring Clip
- Adjustable, locking ceiling attachment

