

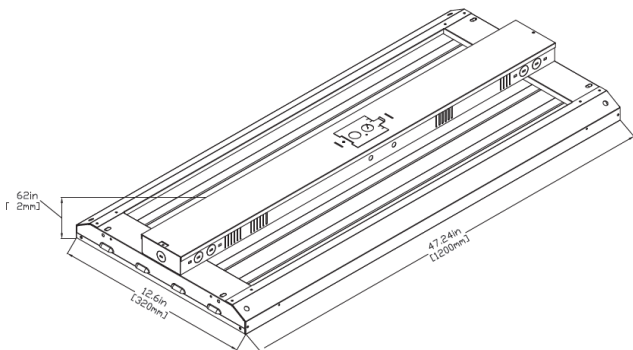
## PRODUCT DESCRIPTION:

The linear high bay is the lighting solution for a wide variety of applications and mounting heights. A choice of lumen outputs and color temperatures make the high efficacy the ideal solution for industrial, commercial and other high bay application.

## FEATURES:

- PMMA material
- Samsung 2835 LED chips
- Steel and aluminum body
- High quality LED chips with 100,000 hours
- 0-10V dimming available

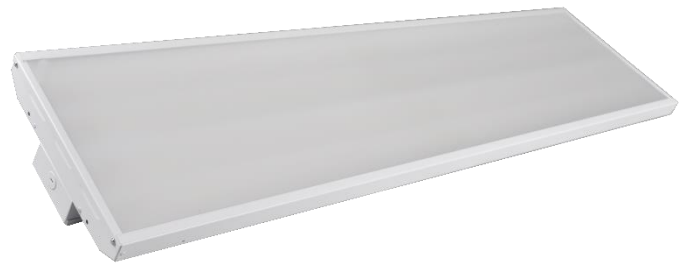
## DIMENSIONS:



## LED Linear High Bay Spec

LOD-LHB220W-40K

LOD-LHB220W-50K



### SPECIFICATIONS:

SPECIFICATION	Details	
Model	LOD-LHB220W-40K	LOD-LHB220W-50K
Input Wattage (W)	220W	
Lumens Delivered (LM)	30,144LM	30,189LM
Efficacy (LM/W)	136.4LM/W	136.6LM/W
CRI	80	80
Lifespan	100,000 hours	
Color Temperature	4,000K	5,000K
Wattage Equivalent	600W	
Dimmable	Yes	
IP Rating	IP54	
Beam Angle	120	
Input Voltage	AC120-277V	
Power Factor	0.9	0.9
Housing	Steel & Aluminum	
Lens	Frosted	
Mounting	Hanging Chain	
Weight (LBS)		
THD	20%	20%
Size (inches)	47.24" x 12.6" x 3.62"	
Certification	DLC, UL	
Operating Temperature	-20°C-40°C	
Environment	Indoor	
Warranty	5 years limited	

4000K is a special-order request

