

## AREA LIGHT ETH SERIES

### Product Description

Etherium Area Lights deliver industry leading, eye catching aesthetics with advanced optical controls and custom options to fit any lighting need. Our rugged die-cast housing and riveted design allows for advanced thermal management and IP 65 ratings will conquer any exterior condition.



FEATURES		
M1	M2	M3
100W	150W/200W	240W/300W
4000K / 5000K		
Efficacy up to 145 LPW		
Multiple Distribution Types		
0 – 10V Dimming		
IP 65 Rating		
DLC Premium		
7 Year Warranty		
Operation temperature from -20°C to 50°C		

### Construction & Installation

Etherium Area Lights contains 20% higher chip counts in each module to reduce diode failure while increasing the life hours of the fixture. The open-air heat sink prevents water and dust from collecting on top of the fixture and allows heat to dissipate downwards quickly. Offer various mounting brackets with twist lock photocell and bi level dimming motion sensors available.

### Electrical & Operations

Etherium Area lights comes with universal voltage (120-277V) or high voltage (277-480V) with a reliable driver equipped with 0-10V dimming capability. Can operate in temperatures -20°C to 50°C. Surge immunity 4kV

### Applications

Parking lots, car dealerships, outdoor retail shopping malls, recreational spaces, exterior school spaces and can be used to flood in any outdoor area application.

### Certification

UL Listed. All components have UL certification. UL Class 2. Driver: SCP, OTP, OVP protection, FCC Part 15 Class B, UL8750 Class 2. DLC Premium. IP 65

### Warranty

7 year warranty with a 75,000 hour rated L70. See warranty documentation for more detail information



## ORDERING INFORMATION

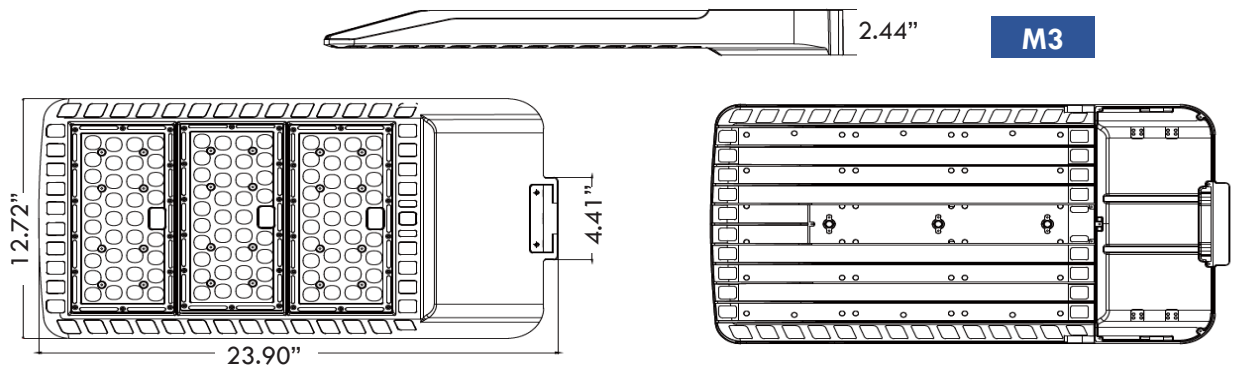
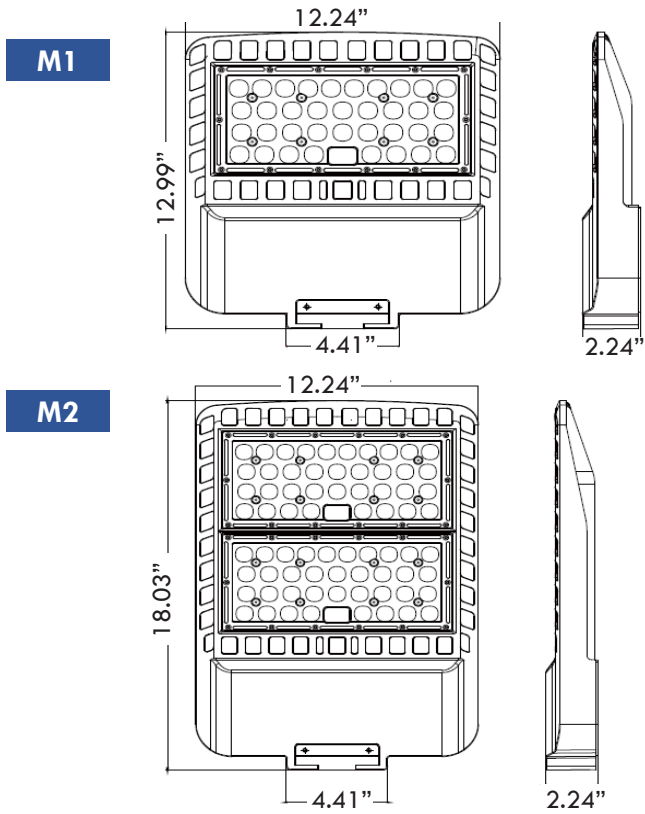
Example: ETH-A01-100W-H-5000K-T3-PC-A

Nomenclature	Series	Form Factor	Wattage	Voltage	CCT	Optics	Sensor	Mount	
ETH	A	01	100W	H	5000K	T3	PC	A	
ETH = Etherium	A = Area Light	01, 02 = 1 Module 03, 04, 05 = 2 Module 06, 07, 08, 09 = 3 Module	100W = 100W 150W = 150W 200W = 200W	240W = 240W 300W = 300W HV = 220-480V	H = 120-277V HV = 220-480V	4000K = 4000K 5000K = 5000K	T3 = Type 3 T4 = Type 4 T5 = Type 5	PC = Photocell OC = Occupancy SC = Shorting Cap	A = Slip Fit B = Straight Arm Round C = Straight Arm Square D = Trunion

\*\*\*Specifications and Dimensions subject to change without notice\*\*\*

SPECIFICATION	
PERFORMANCE SUMMARY	
Input Voltage	120V-277V / 277-480V
Input Frequency	50/60 Hz
Wattage	See Performance table
Lumens	See Performance Table
Efficacy	>145 LPW
CRI	80+
CCT	4000K / 5000K
IP Rating	65
Rated Life	75,000 Hr
L70	>72,000 Hr
Power Factor	>0.9
THD	<15%
Dimming	0-10V
Operating Temp.	-20°C to 50°C

## DIMENSIONS

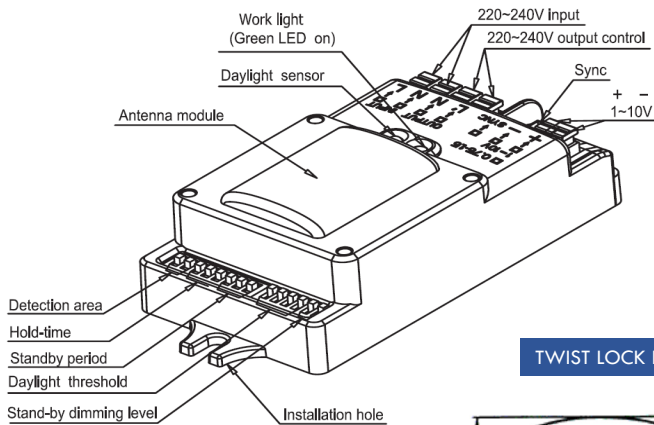


CARTON DIMENSIONS AND WEIGHT			
Model	Carton	Weight	PCS/BOX
M1	14.57" x 14.57" x 6.69"	10.36 LBS	1 pcs
M2	15.12" x 18.90" x 6.69"	13.34 LBS	1 pcs
M3	15.16" x 25.20" x 7.28"	19.88 LBS	1 pcs

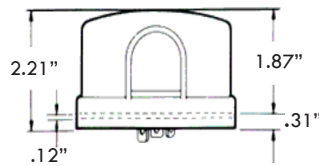
\*\*\*Specifications and Dimensions subject to change without notice\*\*\*

## SENSORS

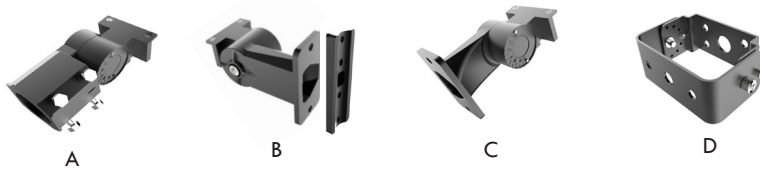
### BI-LEVEL DIMMING



### TWIST LOCK PHOTOCELL



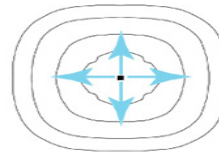
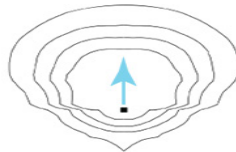
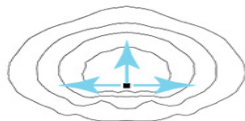
## MOUNTING OPTIONS



TYPE III

TYPE IV

TYPE V



## OPTICS

## ACCESSORIES

### SENSORS

Model No.	Description
MC601V	BI-Level Dimming
JL-205C	Twist Lock Photocell

### MOUNTING OPTIONS

Model No.	Description
A	Slip Fit
B	Straight Arm Round/ Square pole Adjustable knuckle
C	Straight Arm Square pole Adjustable knuckle
D	Trunion

### OPTICS OPTIONS

Type III Distribution (Standard)

Type IV Distribution

Type V Distribution

## PERFORMANCE DETAILS

Form Factor	Catalog No.	Rated Wattage	Tested Wattage	4000K		5000K	
				Total Lumens	Efficacy LPW	Total Lumens	Efficacy LPW
M1	ETH-A02-100W-H	100W	100.3W	14096 lm	140.4 LPW	14367 lm	142.6 LPW
M2	ETH-A04-150W-H	150W	151.3W	21508 lm	141.5 LPW	21784 lm	143.6 LPW
M2	ETH-A05-200W-H	200W	201.3W	28836 lm	142.8 LPW	29167 lm	144.6 LPW
M3	ETH-A07-240W-H	240W	241.1W	34134 lm	141.5 LPW	34726 lm	143.8 LPW
M3	ETH-A09-300W-H	300W	300.9W	42384 lm	140.8 LPW	43156 lm	143.3 LPW
M2	ETH-A03-150W-HV	150W	150.8W	21582 lm	143 LPW	21914 lm	145.1 LPW
M3	ETH-A06-240W-HV	240W	241.6W	33981 lm	140.6 LPW	34538 lm	142.8 LPW
M3	ETH-A08-300W-HV	300W	300.5W	42629 lm	141.8 LPW	43323 lm	143.9 LPW

\*\*\*Specifications and Dimensions subject to change without notice\*\*\*