

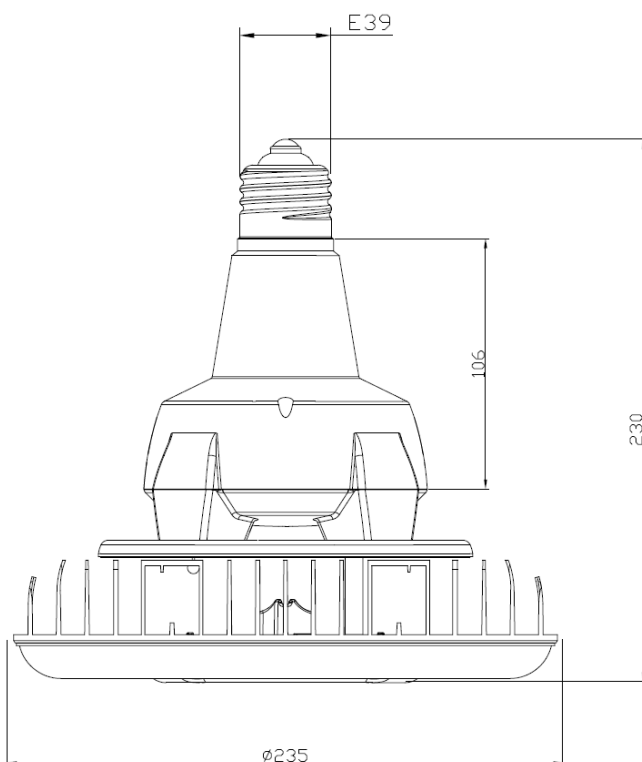
PRODUCT DESCRIPTION:

No ballast required. Disconnect or remove the ballast before installation. Mainly used in garages or warehouse lighting.

FEATURES:

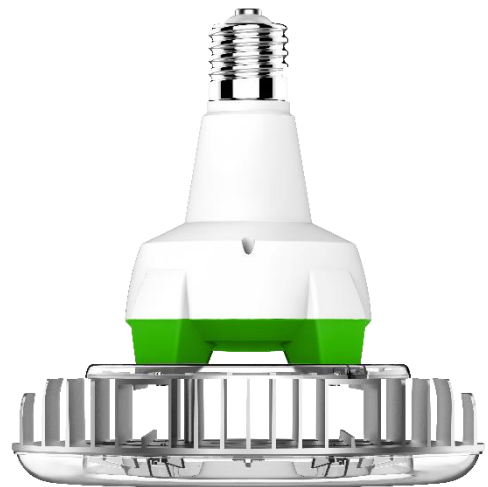
- Samsung 2835 LED chips
- IP42 rated
- Suitable for enclosed fixtures
- Non-dim
- No fans for moving parts providing outstanding reliability
- Surge protection 4KV

DIMENSIONS:



High Bay 115W Spec

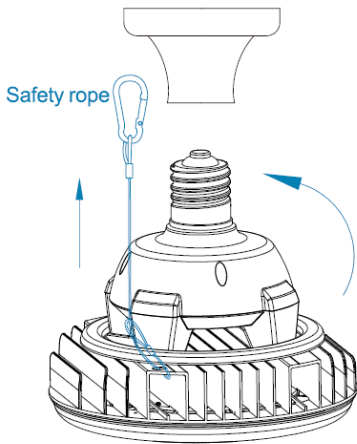
LOD-HB115W-50K



SPECIFICATIONS:

| SPECIFICATION | Details |
|-----------------------|-----------------|
| Model | LOD-HB115W-50K |
| Input Wattage (W) | 115W |
| Lumens Delivered (LM) | 14,100.7LM |
| Efficacy (LM/W) | 113.3LM/W |
| CRI | 84.6 |
| Lifespan | 50,000 hours |
| Color Temperature | 5,000K |
| Wattage Equivalent | 400W HPS/MHL |
| Dimmable | No |
| IP Rating | IP42 |
| Beam Angle | 220 |
| Input Voltage | AC100-277V |
| Power Factor | 0.904 |
| Housing | Aluminum |
| Lens | Clear |
| Mounting | E39 base |
| Size | 9.05" x 9.25" |
| Weight | 3.53 lbs |
| THD | 15.1% |
| Certification | DLC, UL |
| Operating Temperature | -40°C to 60°C |
| Environment | Indoor |
| Warranty | 5 years limited |





Step:1

Shown as Figure 1
Turn off the power before installation.

Remove the old ballast, capacitor and ignitor(if existing)

Step:2

Shown as Figure 2
Make sure the alternating Current Wires connect to the E26, E39 or EX39 socket directly (Reattach or replace ground lead if one is needed)

Step:3

Shown as Figure 3
Screw the LED lamp onto the corresponding socket.

