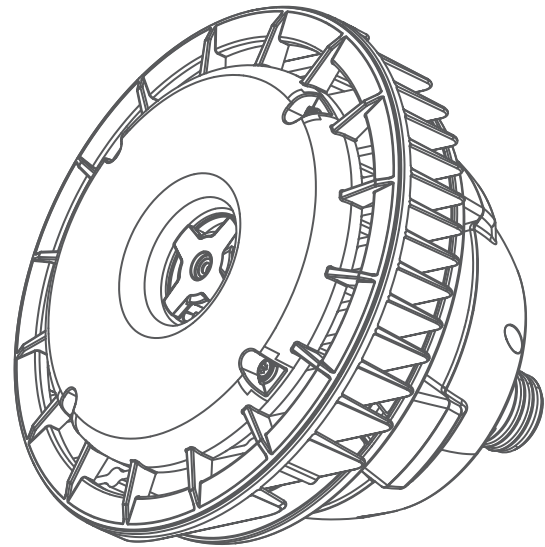
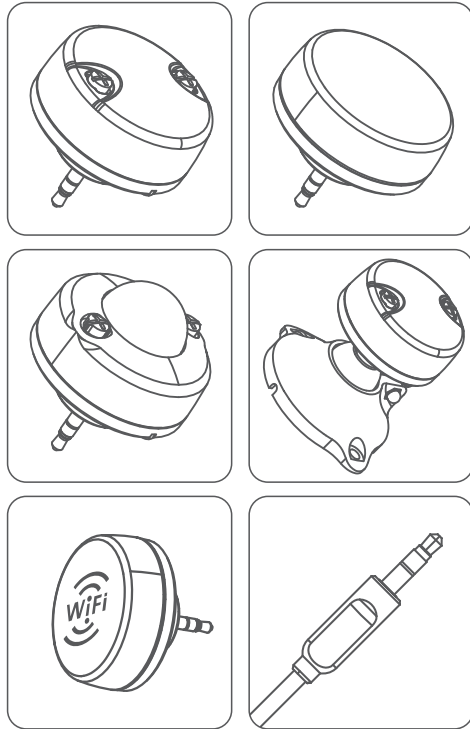


LEDone®

Intelligent Interface Installation Instructions



One lamp works with different modules or will work as a standard lamp without a module

Please read the instructions carefully and observe installation details.

Application: Mainly apply for high bay and other suitable light fixtures.

When using electrical equipment, basic safety precautions should always be followed including:

WARNING: Operating temperature: -30°C to 60°C (-22°F to 140°F).

WARNING: These LED Lamps require all ballasts, capacitors, and ignitors to be bypassed or removed. Do not operate lamps on existing ballasts.

WARNING: Risk of fire or electric shock. Luminaire wiring and electrical parts may be damaged when drilling for installation of LED retrofit kit. Check for enclosed wiring and components.

WARNING: Risk of fire or electric shock. LED Retrofit lamp installation requires knowledge of luminaires electrical systems. If not qualified, do not attempt installation. Contact a qualified electrician.

WARNING: This device is not intended for use with emergency exits.

WARNING: When using in portable table luminaires, ensure the distance from the bottom of the base to the top of the lampholder does not exceed three (3) times the base diameter.

WARNING: For use in enclosed fixtures.

WARNING: Before installation make certain the AC power to the fixture is off.

WARNING: Do not make or alter any open holes of the wiring enclosure or electrical component enclosure during installation. Only those open holes indicated in the photographs or drawings may be added or altered as a result of kit installation. Do not leave any other open holes in the wiring enclosure or electrical component enclosure during installation.

WARNING: Installers should not disconnect existing wires from lampholder terminals to make new connections at lampholder terminals. Instead installers should cut existing lampholder leads away from the lampholder and make new electrical connections to lampholder lead wires by employing applicable connectors.

WARNING: To prevent wiring damage or abrasion, do not expose wiring to edges of sheet metal or other sharp objects.

WARNING: Risk of fire or electric shock. Install this kit only in luminaires that have the construction features and dimensions shown in the photographs or drawings and where the input rating of the retrofit kit does not exceed the input rating of the luminaire.

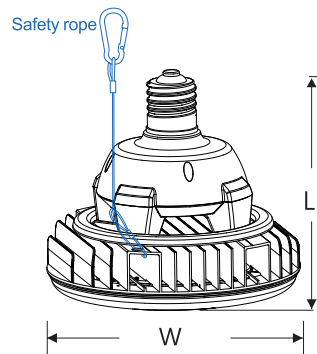
Electrical Parameters

Model Number	Input Wattage (W)	Input Voltage (Vac)	Input Current (A)	Lamp base	No.of LEDs
LOD-LB60W	60W	100-277	0.666	E39	176
LOD-LB80W	80W	100-277	0.888	E39	224
LOD-HB115W	115W	100-277	1.270	E39	330

Product Size: Unit: mm

Watt	Lamp base	Lamp dimension Unit:inch	Lamp dimension Unit:mm
60	E39	Φ6.89"x6.61"	Φ175x168mm
80	E39	Φ7.87"x6.89"	Φ200x175mm
115	E39	Φ9.25" x 9.06"	Φ235 x 230mm

BURNING POSITIONS: BASE UP



You must use the safety rope to tight the lamp for structural integrity.

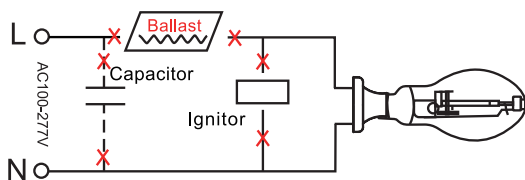


Fig1

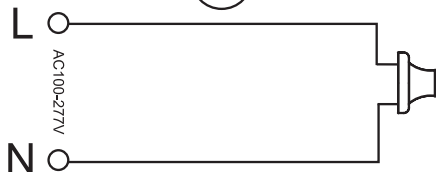


Fig2

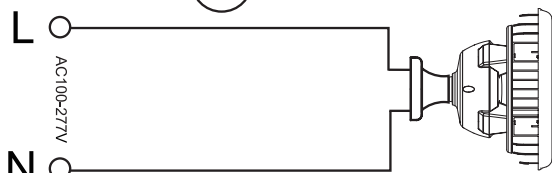


Fig3

Installation Steps:

Step 1:

Turn off the power before installation.

Step 2:

As shown in Figure 1

Remove the old ballast, capacitor and ignitor (if existing).

Step 3:

As shown in Figure 2

Make sure the alternating current wires connect to the E39 socket directly. (Reattach or replace ground lead if one is needed).

Step 4:

As shown in Figure 3

Screw the LED lamp into the corresponding socket. Attach retrofit label to luminaire.